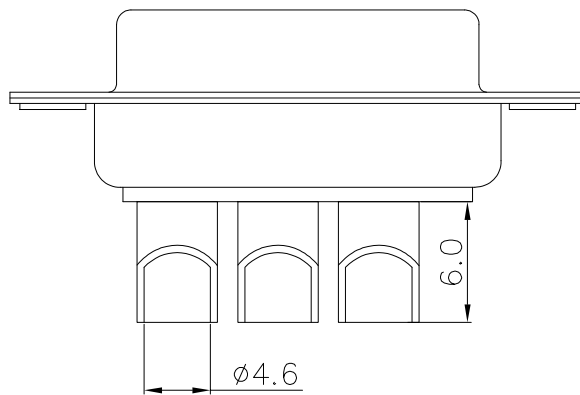


10A,20A,30A



△ 40A

Voltage current rating:10~40 AMP.
 Contact resistance : 2.7 milliohms max.
 Dielectric withstanding voltage:1000V AC
 Insulation resistance:5000MΩ Min.
 △ Temperature range: -55℃ to +125℃
 Part number:

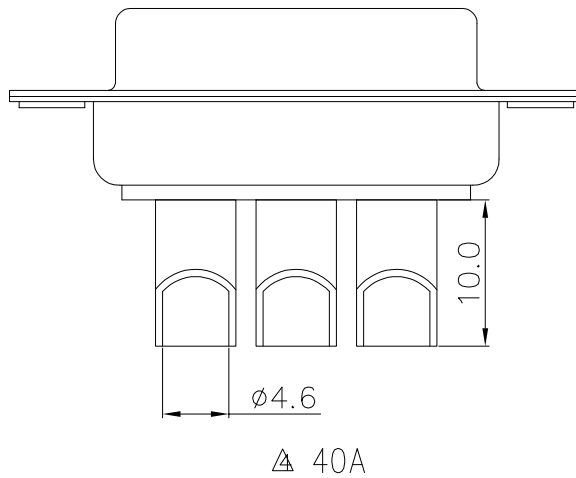
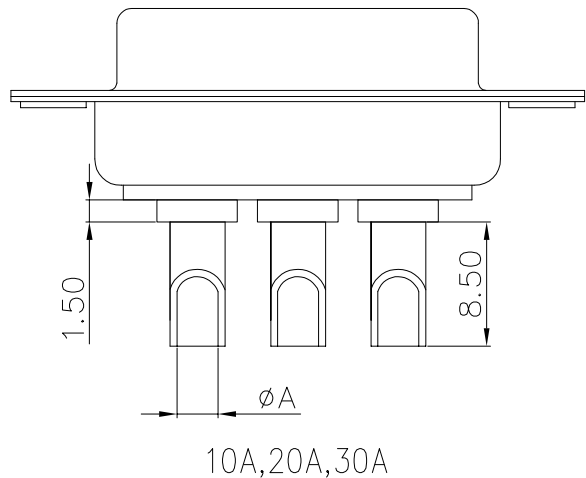
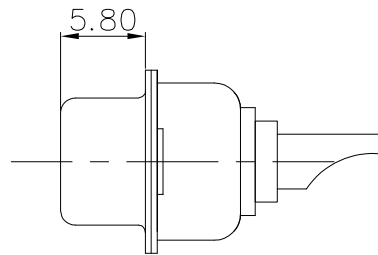
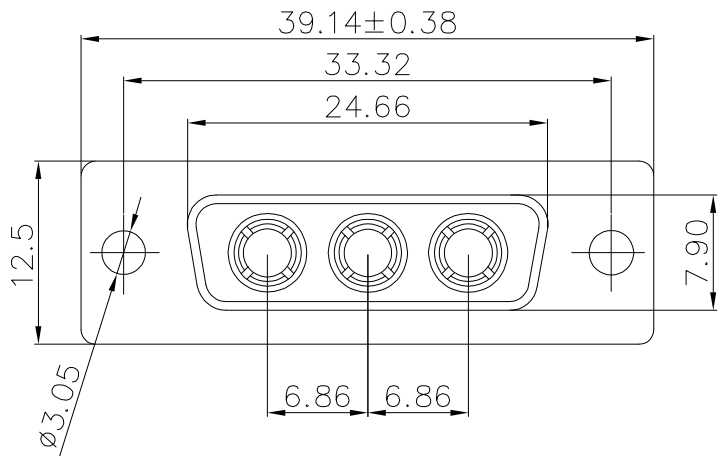
B08-3W3411XN-X2
 △ Terminal plating:
 4: Full Au 2u"
 5: Full Au 1u"
 Current rating:
 A: 10A, φA 1.7mm
 B: 20A, φA 2.8mm
 C: 30A, φA 3.2mm
 D: 40A, φA 4.6mm

4	Rear shell	SPCC	Plating:Sn
3	Front shell	SPCC	Plating:Ni
2	Housing	PBT UL94V-0	Color:black
1	Terminal	Copper alloy	Plating:see part no.
Item	Desc.	Material	Remark

△	2023/08/22	Add 40A drawings,Change tolerance	Jack Chen
△	2023/08/17	1,Added the terminal plating type 2,Modified operating temperature	Jack Chen
△	2016/09/03	First edition release	Jing Li
SIDE	DATE	DESCRIPTION	APPROVER
8	7	6	5

QUALITY SYMBOLS		Tolerance	
□ :	⊗ :	.x	±0.60
CRITICAL	MAJOR	.x	±0.40
▽ :	▽ :	.xx	±0.25
ZERO DEFECT	S.P.C		

NAME:	3W3 female solder,solder cup 5.5mm				PART NO.	B08-3W3411XN-X2		
REV:	C	UNIT:	mm	DRW BY	CHK BY	APP BY	DRAWING NO.	
SCALE:	N:1	DATE:	2016/09/03	Huangmei	Jack Chen		B08-087	
				东莞市林诚塑胶电子有限公司		http://www.lineconn.com TEL:0769-85181660 85181770		



Voltage current rating: 10~40 AMP.
 Contact resistance : 2.7 milliohms max.
 Dielectric withstanding voltage: 1000V AC
 Insulation resistance: 5000MΩ Min.

△ Temperature range: -55℃ to +125℃
 Part number:

B08-3W3411XN-X0

△ Terminal plating:

4: Full Au 2u"

5: Full Au 1u"

Current rating:

A: 10A, φA 1.7mm

B: 20A, φA 2.8mm

C: 30A, φA 3.2mm

D: 40A, φA 4.6mm

Item	Desc.	Material	Remark
4	Rear shell	SPCC	Plating: Sn
3	Front shell	SPCC	Plating: Ni
2	Housing	PBT UL94V-0	Color: black
1	Terminal	Copper alloy	Plating: see part no.

△	2023/08/22	Add 40A drawings, Change tolerance	Jack Chen
△	2023/08/17	1, Added the terminal plating type 2, Modified operating temperature	Jack Chen
△	2013/03/11	First edition release	Jing Li
SIDE	DATE	DESCRIPTION	APPROVER
8	7	6	5

QUALITY SYMBOLS		Tolerance	
□ :	☒ :	.x	±0.60
CRITICAL	MAJOR	.x	±0.40
▽ :	▽ :	.xx	±0.25
ZERO DEFECT	S.P.C		
8	7	6	5

NAME:		3W3 female solder, solder cup 8.5mm			PART NO.		B08-3W3411XN-X0	
REV:	D	UNIT:	mm	DRW BY	CHK BY	APP BY	DRAWING NO.	
SCALE:	N:1	DATE:	2013/03/11	Huangmei	Jack Chen		B08-006	
				东莞市林诚塑胶电子有限公司				
				http://www.lineconn.com TEL: 0769-85181660 85181770				
8	7	6	5	4	3	2	1	