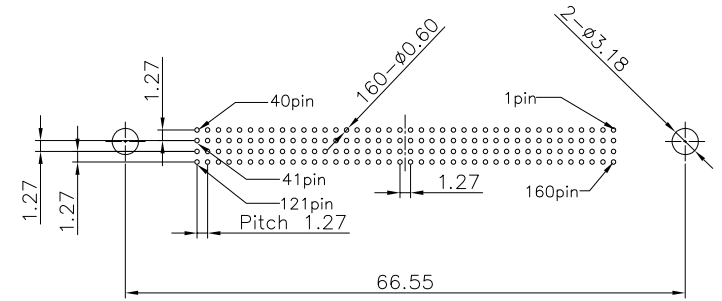
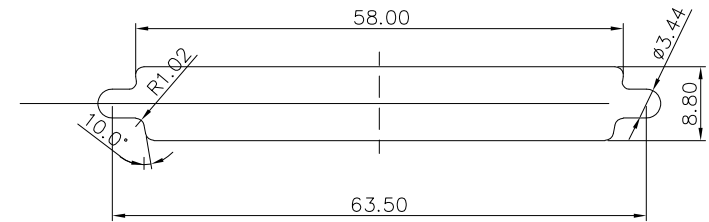


REF.0.9, Max: 0.97



PCB layout



Panel size

Panel size

Rated current: 0.30A/contact  
 Dielectric withstanding voltage: 250V AC  
 Insulation resistance: 500MΩ min.  
 Temperature range: -25°C to +105°C  
 ROHS compliant

Item	Desc.	Material	Remark
5	Board lock	Copper alloy	Plating: Sn
4	Cover	LCP UL 94V-0	Color: black
3	Housing	LCP UL 94V-0	Color: black
2	Shell	Zinc alloy	Plating: Ni
1	Terminal	Phosphor bronze	Contact area: Au 15u" Solder area: Sn Under-plating: Ni

△				
△				
△	2023/04/23	First edition release	Carl Hu	
SIDE	DATE	DESCRIPTION	APPROVER	
8	7	6	5	4

QUALITY SYMBOLS		Tolerance	
□:	☒:	.x	±0.60
CRITICAL	MAJOR	.x	±0.40
▽:	▽:	.xx	±0.25
ZERO DEFECT	S.P.C		

NAME:	LFH 160pin female right angle DIP type Connector			PART NO.	B04-160611HL-01		
REV:	A	UNIT:	mm	DRW BY	CHK BY	APP BY	DRAWING NO.
SCALE:	N:1	DATE:	2023/04/23	Huangmei	Carl Hu		B04-085
				东莞市林诚塑胶电子有限公司		<a href="http://www.lineconn.com">http://www.lineconn.com</a> TEL:0769-85181660 85181770	
3	2	1					