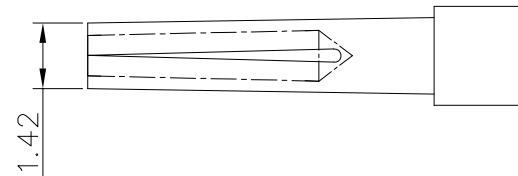
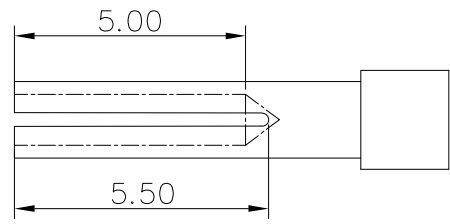
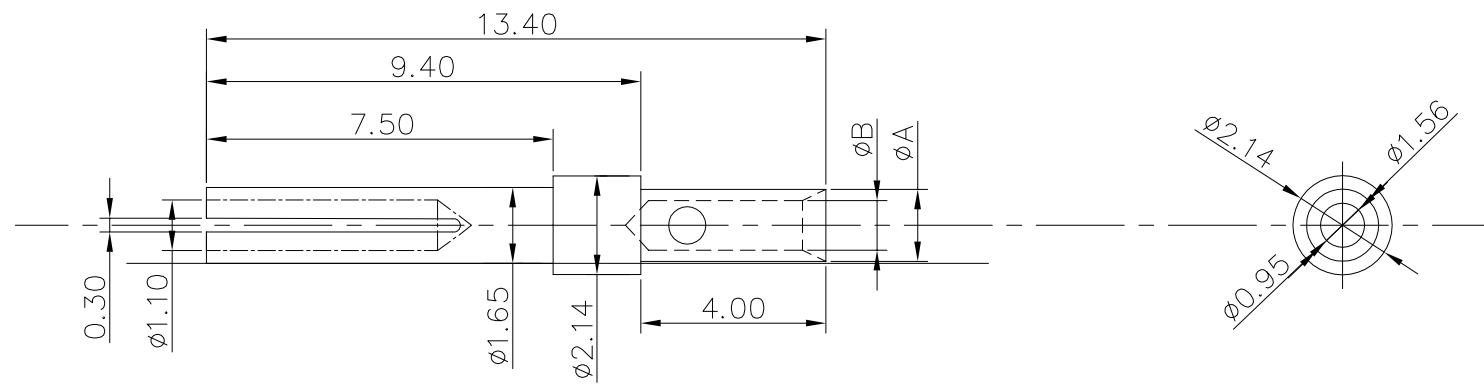
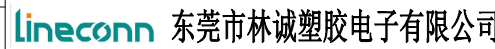


Part number	A	B
T05-00020050-A3	1.56	0.85
T05-00020050-B3	1.56	0.95
T05-00020050-C3	1.56	1.10
T05-00020050-D3	1.76	1.20
T05-00020050-E3	1.76	1.30



1	Terminal	Copper alloy	Plating: Au 1u"
Item	Desc.	Material	Remark

				QUALITY SYMBOLS	Tolerance	NAME:	$\phi 1.0 \times 13.4$ crimp female terminal				PART NO.	T05-00020050-X3	
				<input type="checkbox"/> : <input checked="" type="checkbox"/> :	x. ± 0.60	REV:	A	UNIT:	mm	DRW BY	CHK BY	APP BY	DRAWING NO.
				CRITICAL MAJOR	.x ± 0.40	SCALE:	N:1	DATE:	2022/04/13	Huangmei	Jack Chen		T05-009
				<input checked="" type="checkbox"/> : <input checked="" type="checkbox"/> :	.xx ± 0.25	 东莞市林诚塑胶电子有限公司 http://www.lineconn.com TEL:0769-85181660 85181770							
SIDE	DATE	DESCRIPTION	APPROVER	ZERO DEFECT S.P.C									
\triangle	2022/04/13	First edition release	Jack Chen										
8	7	6	5	4	3	2	1						