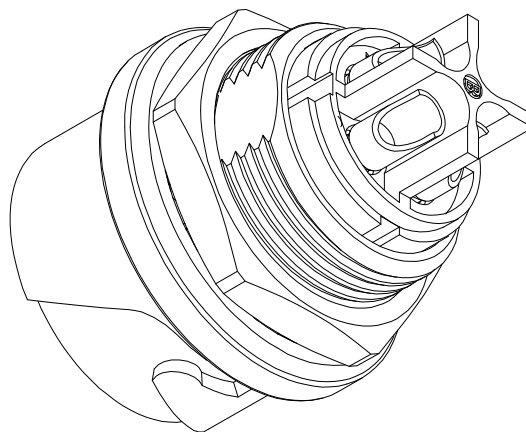




Panel size



Current rating: 10A
 Operating voltage: 125V
 Contact resistance: 5mΩ/Max.
 Durability: 1000 cycles
 Temperature range: -25°C to +85°C
 ROHS compliant

Item	Desc.	Material	Remark
7	Retaining ring	Stainless Steel	
6	Terminal	Copper	Plating: Au
5	Nut	Copper	Plating: Ni
4	Washer	Stainless Steel	
3	Sealing ring	Silicone	
2	Housing	PPS	Color: black
1	Shell	Zinc alloy	Plating: Ni

				QUALITY SYMBOLS	Tolerance	NAME:	LF10WBR-4S female solder rear lock panel			PART NO.	B10-0LF10WBR-4S		
				□: ☒:	x. ±0.60	REV:	A	UNIT:	mm	DRW BY	CHK BY	APP BY	DRAWING NO.
				CRITICAL MAJOR	.x ±0.40	SCALE:	N:1	DATE:	2023/07/19	Huangmei	Carl Hu		B10-177
				▽: ▽:	.xx ±0.25								
SIDE	DATE		DESCRIPTION	APPROVER	ZERO DEFECT S.P.C	 		lineconn 东莞市林诚塑胶电子有限公司			http://www.lineconn.com TEL:0769-85181660 85181770		
8	7	6	5	4	3	2	1						

东莞市林诚塑胶电子有限公司

http://www.lineconn.com
 TEL:0769-85181660 85181770