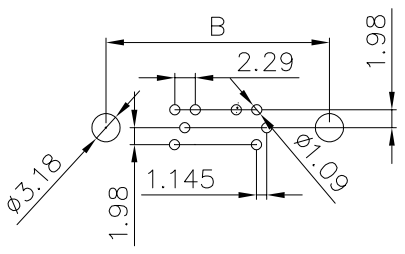
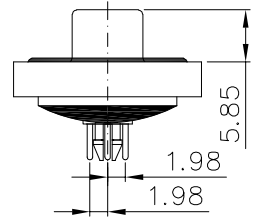
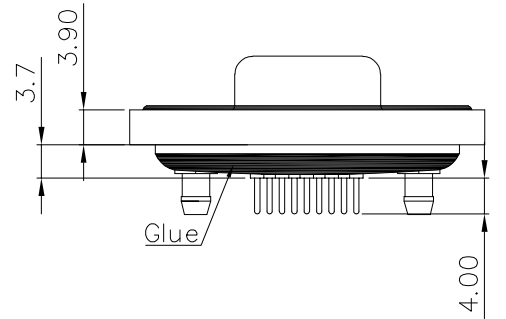
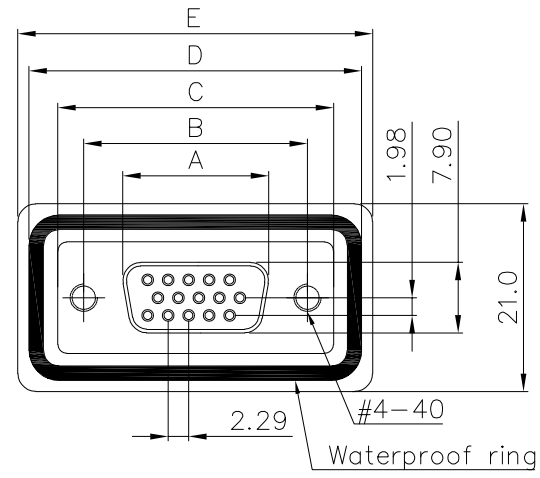


No. of Contact	A	B	C±0.38	D	E
15	16.30	25.00	30.80	37.1	39.6
26	24.80	33.30	39.14	45.5	48.0
44	38.30	47.04	53.04	59.4	61.9
62	54.80	63.50	69.32	75.5	78.0

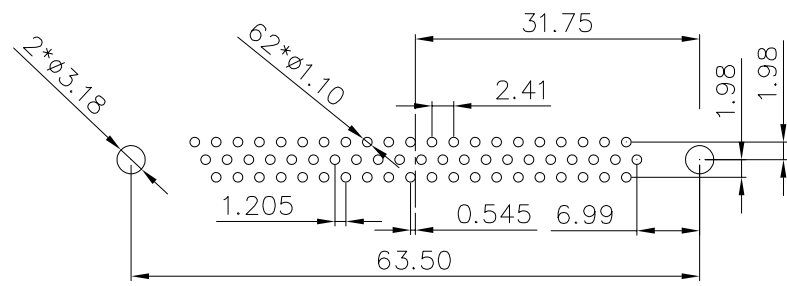
Current rating: 5A
 Withstanding voltage: 1000V AC
 Insulation resistance: 1000MΩ Min.
 Contact resistance : 30 milliohms Max.
 Temperature range: -55°C to +105°C
 Waterproof rating: IP67
 ROHS compliant
 Part number:

BA4-0XX8115D-02

No. of contact: _____
 15: 15pos
 26: 26pos
 44: 44pos
 62: 62pos



PCB layout



62pin PCB layout

7	Glue	Glue	
6	Waterproof ring	Rubber	
5	Board lock	Copper alloy	Plating: Sn
4	Housing	PBT+30%GF	Color: black
3	Rear shell	Steel	Plating: Sn
2	Front shell	Steel	Plating: Ni
1	Contact	Copper alloy	Plating: full Au 1u"
Item	Desc.	Material	Remark

A				QUALITY SYMBOLS	Tolerance	NAME:	Waterproof HD.D-SUB machined pin female vertical for PCB				PART NO.	BA4-0XX8115D-02		
△				□: ☒:	.x ±0.60	REV:	A	UNIT:	mm	DRW BY	CHK BY	APP BY	DRAWING NO.	
△				CRITICAL MAJOR	.x ±0.40	SCALE:	N:1	DATE:	2025/04/03	Huangmei	Carl Hu		BA4-014	
△	2025/04/03	First edition release	Carl Hu	▽: ▽:	.xx ±0.25	东莞市林诚塑胶电子有限公司 http://www.lineconn.com							TEL: 0769-85181660 85181770	
SIDE	DATE	DESCRIPTION	APPROVER	ZERO DEFECT	S.P.C									
8	7	6	5	4	3	2	1							