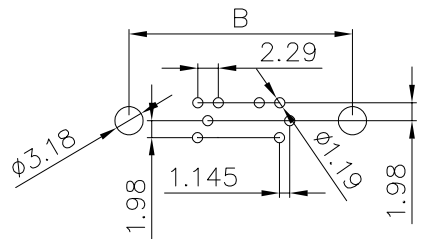
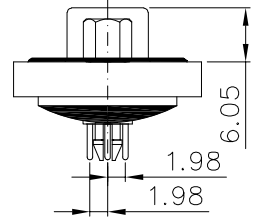
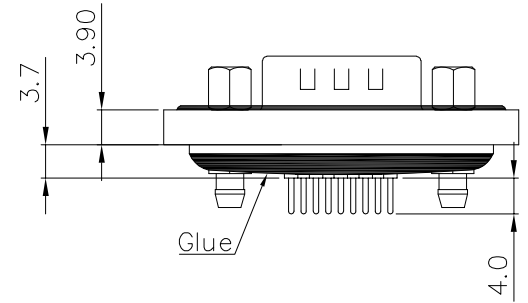
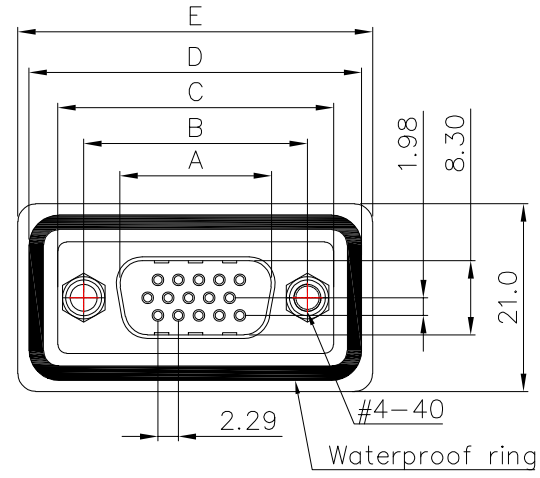


No. of Contact	A	B	C±0.38	D	E
15	16.92	25.00	30.80	37.1	39.6
26	25.25	33.30	39.20	45.5	48.0
44	38.96	47.04	53.04	59.4	61.9
62	55.42	63.50	69.40	75.5	78.0

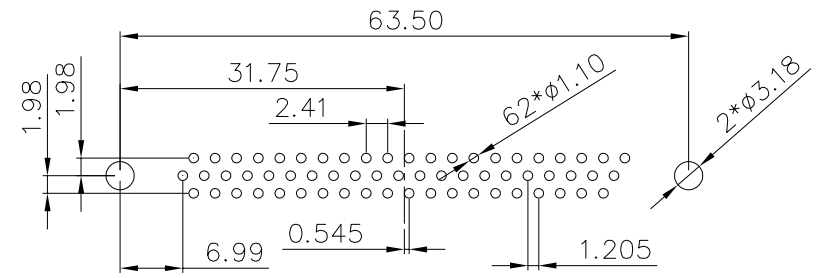
Current rating: 5A
 Withstanding voltage: 1000V AC
 Insulation resistance: 1000MΩ Min.
 Contact resistance : 30 milliohms Max.
 Temperature range: -55°C to +105°C
 Waterproof rating: IP67
 ROHS compliant
 Part number:

BA4-0XX7115D-02

No. of contact: _____
 15: 15pos
 26: 26pos
 44: 44pos
 62: 62pos



PCB layout



62pin PCB layout

7	Glue	Glue	
6	Waterproof ring	Rubber	
5	Board lock	Copper alloy	Plating: Sn
4	Housing	PBT+30%GF	Color: black
3	Rear shell	Steel	Plating: Sn
2	Front shell	Steel	Plating: Ni
1	Contact	Copper alloy	Plating: full Au 1u"
Item	Desc.	Material	Remark

QUALITY SYMBOLS		Tolerance		NAME:		PART NO.	
△		x.	±0.60	Waterproof HD.D-SUB machined pin male vertical for PCB		BA4-0XX7115D-02	
△		.x	±0.40	REV:	A	UNIT:	mm
△	2025/04/03 First edition release	.xx	±0.25	SCALE:	N:1	DATE:	2025/04/03
SIDE	DATE	DESCRIPTION	APPROVER	lineconn 东莞市林诚塑胶电子有限公司		DRW BY	Huangmei
8	7	6	5	http://www.lineconn.com		CHK BY	Carl Hu
				TEL: 0769-85181660 85181770		APP BY	
						DRAWING NO.	BA4-015