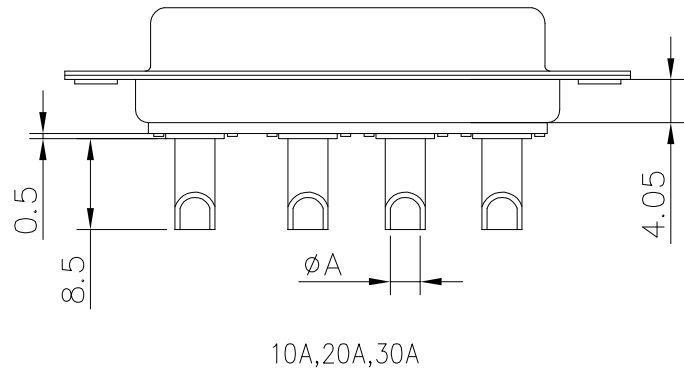


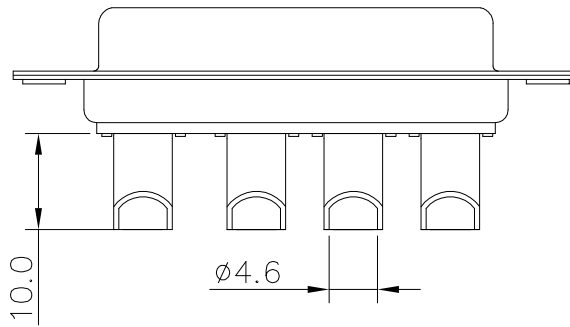
Current rating: 10/20/30/40 AMP.
 Contact resistance: 2.7 milliohms max.
 Withstanding voltage: 1000V AC
 Insulation resistance: 5000MΩ Min.
 Temperature range: -55°C to +125°C
 ROHS compliant
 Part number:

B08-4W4411X0-X0

Terminal plating: _____
 4: Full Au 2u"
 5: Full Au 1u"
 Current rating: _____
 A: 10A, Dim.A φ1.7
 B: 20A, Dim.A φ2.8
 C: 30A, Dim.A φ3.2
 D: 40A, Dim.A φ4.6



10A, 20A, 30A



40A

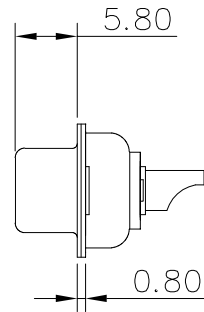
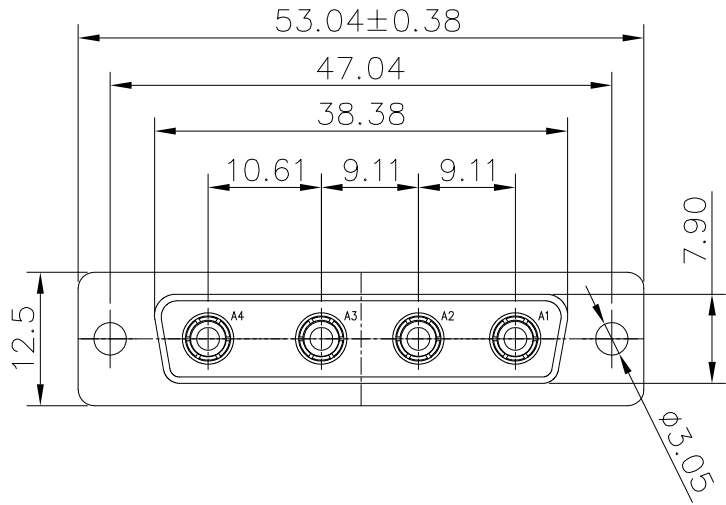
4	Rear shell	SPCC	Plating: Sn
3	Front shell	SPCC	Plating: Ni
2	Housing	PBT+30%GF	Color: black
1	Terminal	Copper alloy	Plating: see part no.
Item	Desc.	Material	Remark

A		△	2023/03/27	First edition release	Jack Chen
SIDE	DATE	DESCRIPTION		APPROVER	
8	7	6		5	

QUALITY SYMBOLS		Tolerance		NAME:	4W4 female solder, cup 8.5mm			PART NO.	B08-4W4411X0-X0		
□:	☒:	x.	±0.60	REV:	A	UNIT:	mm	DRW BY	CHK BY	APP BY	DRAWING NO.
CRITICAL	MAJOR	.x	±0.40	SCALE:	N:1	DATE:	2023/03/27	John Liao	Jack Chen		B08-138
▽:	▽:	.xx	±0.25								
ZERO DEFECT	S.P.C										

lineconn 东莞市林诚塑胶电子有限公司 <http://www.lineconn.com>
 TEL: 0769-85181660 85181770

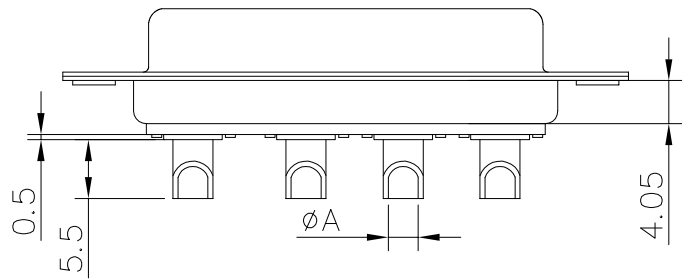
8 7 6 5 4 3 2 1



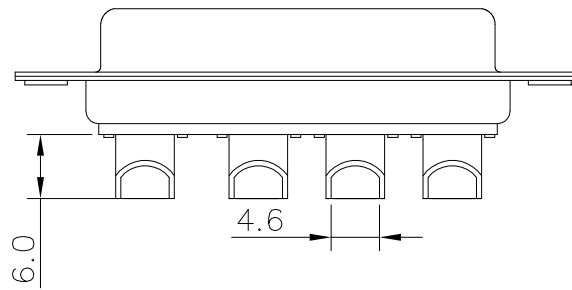
Current rating: 10/20/30/40 AMP.
 Contact resistance: 2.7 milliohms max.
 Withstanding voltage: 1000V AC
 Insulation resistance: 5000MΩ Min.
 Temperature range: -55°C to +125°C
 ROHS compliant
 Part number:

B08-4W4411X0-X2

Terminal plating: _____
 4: Full Au 2u"
 5: Full Au 1u"
 Current rating: _____
 A: 10A, Dim. A ø1.7
 B: 20A, Dim. A ø2.8
 C: 30A, Dim. A ø3.2
 Δ D: 40A, Dim. A ø4.6



10A, 20A, 30A



40A

4	Rear shell	SPCC	Plating: Sn
3	Front shell	SPCC	Plating: Ni
2	Housing	PBT+30%GF	Color: black
1	Terminal	Copper alloy	Plating: see part no.
Item	Desc.	Material	Remark

				QUALITY SYMBOLS	Tolerance	NAME:	4W4 female solder, cup 5.5mm			PART NO.	B08-4W4411X0-X2		
△	2023/03/27	Add 40A drawings, Change tolerance	Jack Chen	□: ☒:	.x ±0.60	REV:	B	UNIT:	mm	DRW BY	CHK BY	APP BY	DRAWING NO.
△	2022/12/02	First edition release	Jack Chen	CRITICAL MAJOR	.x ±0.40	SCALE:	N:1	DATE:	2022/12/02	John Liao	Jack Chen		B08-131
SIDE	DATE	DESCRIPTION	APPROVER	▽: ▽:	.xx ±0.25	lineconn 东莞市林诚塑胶电子有限公司						http://www.lineconn.com	
8	7	6	5	ZERO DEFECT S.P.C		TEL: 0769-85181660 85181770							

东莞市林诚塑胶电子有限公司
 http://www.lineconn.com
 TEL: 0769-85181660 85181770