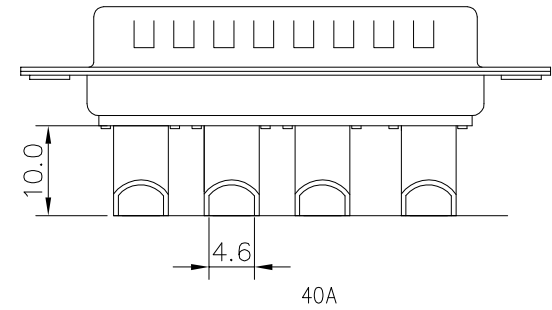
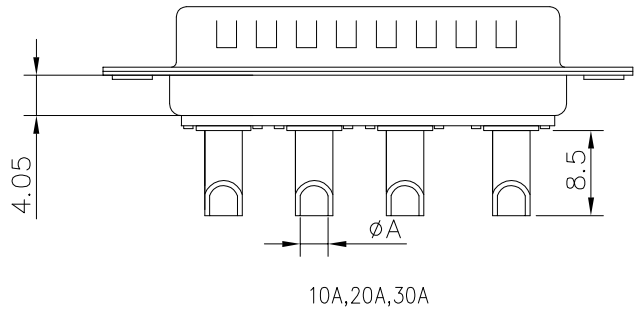


Voltage current rating: 10~40 AMP.
 Contact resistance : 2.7 milliohms max.
 Dielectric withstanding voltage: 1000V AC
 Insulation resistance: 5000MΩ Min.
 Temperature range: -55°C to +125°C
 Part number:

B08-4W4311X0-X0

Terminal plating:
 4: Full Au 2u"
 5: Full Au 1u"
 Current rating:
 A: 10A, ØA 1.7mm
 B: 20A, ØA 2.8mm
 C: 30A, ØA 3.2mm
 D: 40A, ØA 4.6mm

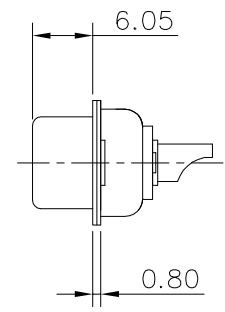
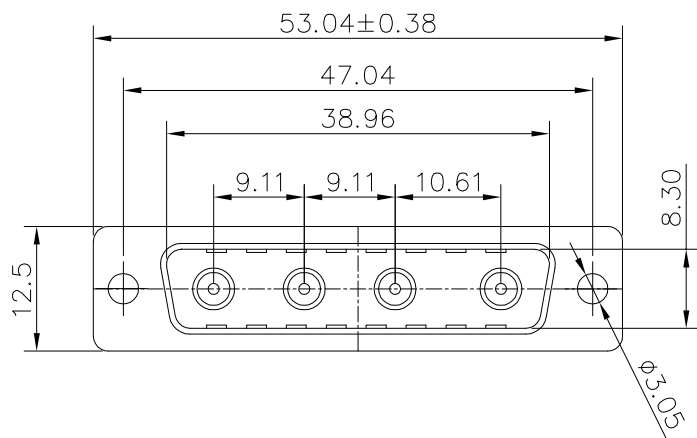


4	Rear shell	Steel	Plating: Sn
3	Front shell	Steel	Plating: Ni
2	Housing	PBT UL94V-0	Color: black
1	Terminal	Brass	Plating: see part no.
Item	Desc.	Material	Remark

△	2023/03/27	First edition release	Jack Chen
SIDE	DATE	DESCRIPTION	APPROVER
8	7	6	5

QUALITY SYMBOLS		Tolerance	
□:	☒:	.x	±0.60
CRITICAL	MAJOR	.x	±0.40
▽:	▽:	.xx	±0.25
ZERO DEFECT	S.P.C		

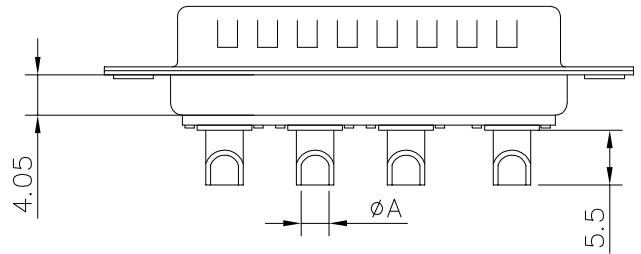
NAME:	4W4 male solder, cup 8.5mm				PART NO.	B08-4W4311X0-X0			
REV:	A	UNIT:	mm	DRW BY	CHK BY	APP BY	DRAWING NO.		
SCALE:	N:1	DATE:	2023/03/27	Huangmei	Jack Chen		B08-139		
				东莞市林诚塑胶电子有限公司				http://www.lineconn.com TEL: 0769-85181660 85181770	
8	7	6	5	4	3	2	1		



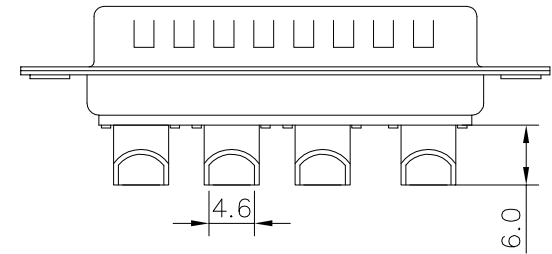
Voltage current rating: 10~40 AMP.
 Contact resistance : 2.7 milliohms max.
 Dielectric withstanding voltage: 1000V AC
 Insulation resistance: 5000MΩ Min.
 Temperature range: -55℃ to +125℃
 Part number:

B08-4W4311X0-X2

Terminal plating:
 4: Full Au 2u"
 5: Full Au 1u"
 Current rating:
 A: 10A, ØA 1.7mm
 B: 20A, ØA 2.8mm
 C: 30A, ØA 3.2mm
 D: 40A, ØA 4.6mm



10A, 20A, 30A



40A

4	Rear shell	Steel	Plating: Sn
3	Front shell	Steel	Plating: Ni
2	Housing	PBT UL94V-0	Color: black
1	Terminal	Brass	Plating: see part no.
Item	Desc.	Material	Remark

△	2025/06/09	Add 40A drawings, Change tolerance	Jack Chen
△	2022/09/26	First edition release	Jack Chen
SIDE	DATE	DESCRIPTION	APPROVER
8	7	6	5

QUALITY SYMBOLS		Tolerance	
□ :	☒ :	x.	±0.60
CRITICAL	MAJOR	.x	±0.40
▽ :	▽ :	.xx	±0.25
ZERO DEFECT	S.P.C		

NAME:	4W4 male solder, cup 5.5mm				PART NO.	B08-4W4311X0-X2		
REV:	B	UNIT:	mm	DRW BY	CHK BY	APP BY	DRAWING NO.	
SCALE:	N:1	DATE:	2022/09/26	Huangmei	Jack Chen		B08-091	
				东莞市林诚塑胶电子有限公司		http://www.lineconn.com TEL: 0769-85181660 85181770		
8	7	6	5	4	3	2	1	