

8 7 6 5 4 3 2 1

F

F

E

E

D

D

C

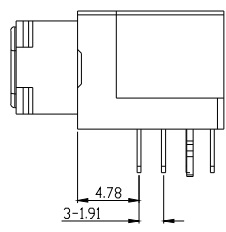
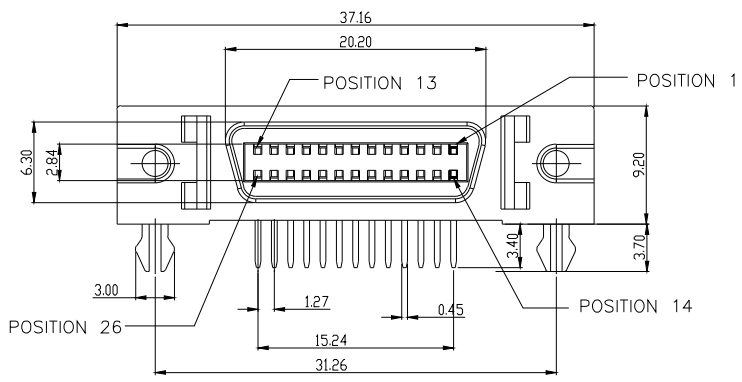
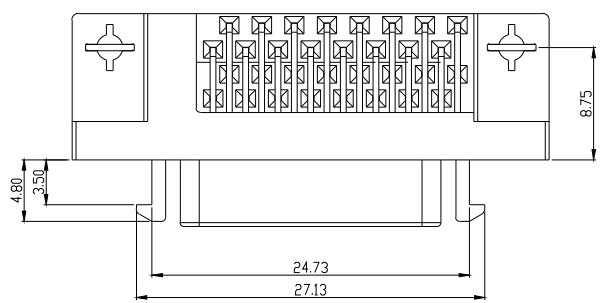
C

B

B

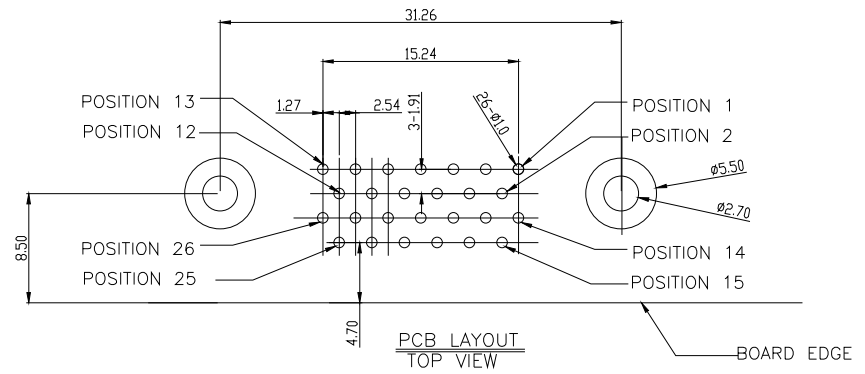
A

A



Voltage Current Rating: 1 AMP, 30V AC
Dielectric Withstanding Voltage: 500V AC
 Contact Resistance: 35 mΩ Max.
 Insulation Resistance: 500MΩ Min.
 Temperature Range: -20°C to +85°C

PART NO.:
 B03-026618X7-01
CONTACT AREA:
 A:G/F
 C:Au 3u"
 H:Au 15u"



ITEM	DESC.	MATERIAL	REMARKS	PART REMARKS
5	BRACKET	STEEL	PLATING: Ni	
4	COVER	LCP+30%GF	COLOR: BLACK	
3	HOUSING	PBT+30%GF	COLOR: BLACK	
2	SHELL	ZINC ALLOY	PLATING: Ni	
1	TERMINAL	COPPER ALLOY T=0.3mm	CONTACT AREA: SEE NOTE SOLDER AREA: Sn UNDER-PLATING: Ni	

SIDE	DATE	DESCRIPTION	APPROVER
△			
△	2023/02/21	PIN 12, 13标注错误, 修正	Jack Chen
△	2015/04/09	新版发行	King Zhou

QUALITY SYMBOLS		Tolerance		NAME: SCSI 26P母座90度弯插				PART NO. B03-026618X7-01	
□:	☒:	.x	±0.80	REV: B	UNIT: mm	DRW BY	CHK BY	APP BY	DRAWING NO.
CRITICAL	MAJOR	.x	±0.50	SCALE: N:1	DATE: 2015/04/09	Huangmei	Jack Chen		B03-003
▽:	▽:	.xx	±0.25	东莞市林诚塑胶电子有限公司				http://www.lineconn.com	
ZERO DEFECT	S.P.C							TEL: 0769-85181660 85181770	

8 7 6 5 4 3 2 1