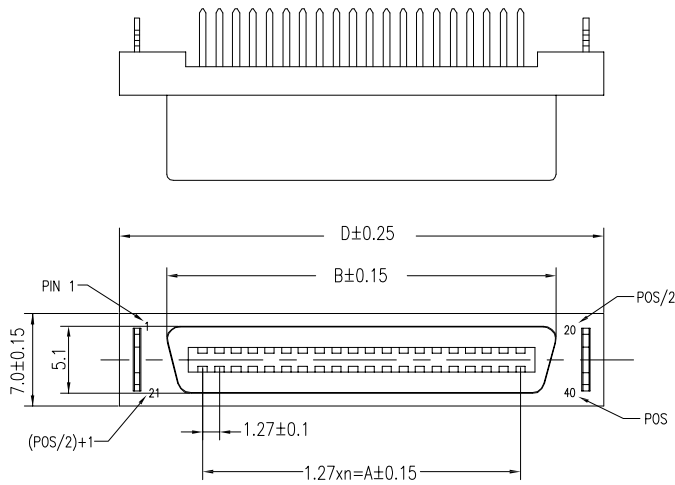
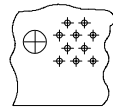


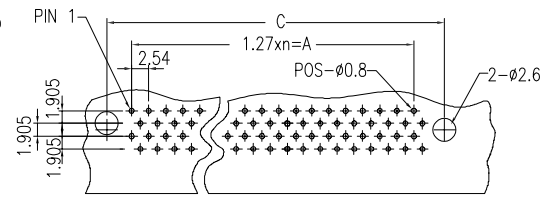
**RoHS COMPLIANT**



RECOMMENDED PC BOARD MOUNTING DIMENSIONS COMPONENT SIDE



FOR 30, 50 POSITIONS ONLY

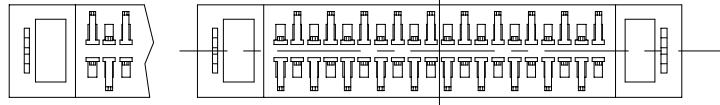
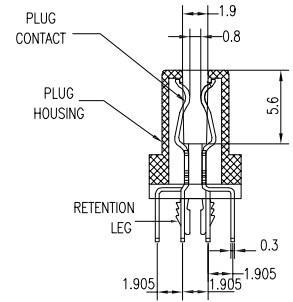
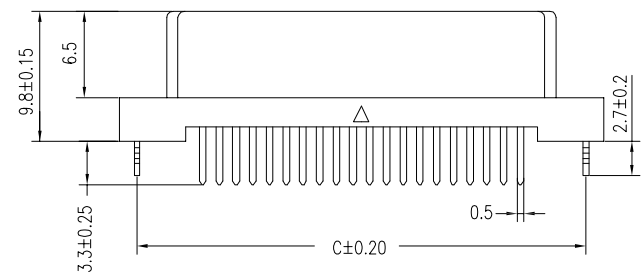


FOR 20, 40, 60, 68, 80, 100, 120 POSITIONS ONLY

120	74.93	80.30	84.90	87.55	59
100	62.23	67.60	72.20	74.85	49
80	49.53	54.90	59.50	62.13	39
68	41.91	47.28	51.88	54.53	33
60	36.83	42.20	46.80	49.45	29
50	30.48	35.85	40.45	43.10	24
40	24.13	29.50	34.10	36.70	19
30	17.78	23.15	27.75	30.35	14
20	11.43	16.80	21.40	24.00	9
POS	A	B	C	D	n

**Voltage Current Rating:1 AMP.30V AC**  
**Dielectric Withstanding Voltage:500V AC**  
**Contact Resistance:35 mΩ Max.**  
**Insulation Resistance:500MΩ Min.**  
**Temperature Range:-20℃ to +85℃**

**PART NO.:** B03-~~XXX~~81NCN-A2  
**NO.OF PIN:** \_\_\_\_\_  
 20: 20P  
 ?  
 120: 120P



FOR 30, 50 POS

FOR 20, 40, 60, 68, 80, 100, 120 POS

3	BOARDLOCKS	COPPER ALLOY	PLATING: Tin	
2	HOUSING	PBT+30%GF	COLOR: BLACK	
1	TERMINAL	COPPER ALLOY	CONTACT AREA: Au 3u" SOLDER AREA: Sn UNDER-PLATING: Ni	
ITEM	DESC.	MATERIAL	REMAKS	PART REMAKS

A	△			QUALITY SYMBOLS	Tolerance	NAME:	SCSI FEMALE 全塑180度DIP (客户用图)			PART NO.	B03-XXX81NCN-A2		
	△			□:    ☒:	.x    ±0.80	REV:	A	UNIT:	mm	DRW BY	CHK BY	APP BY	DRAWING NO.
	△	2018/11/22新版发行	King Zhou	CRITICAL MAJOR	.x    ±0.50	SCALE:	N:1	DATE:	2018/11/22	DAWN HU	KING ZHOU		B03-091
	△			▽:    ▽:	.xx    ±0.25								
	SIDE	DATE	DESCRIPTION	APPROVER	ZERO DEFECT S.P.C				东莞市林诚塑胶电子有限公司			http://www.lineconn.com	
	8	7	6	5	4	TEL:0769-85181660 85181770						1	