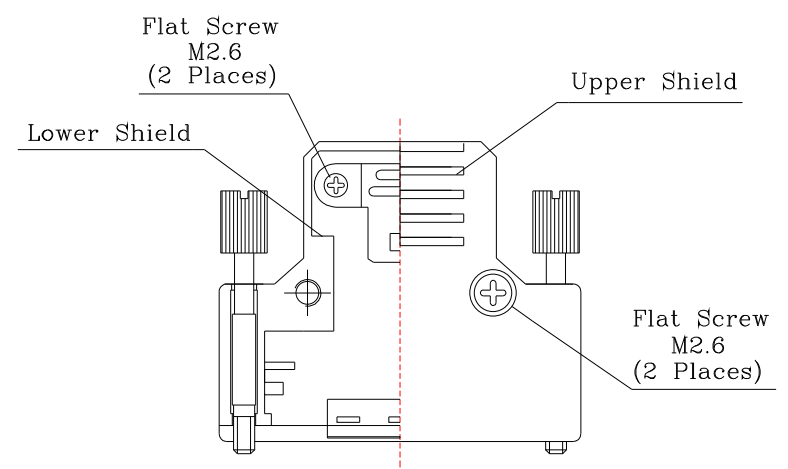
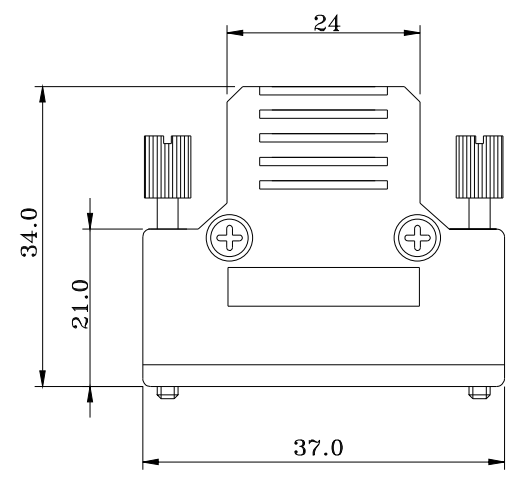


• PART NO.:
 B03-026NN8NX-70
 THREADS FINISHES:
 7: jackscrews M2.6
 8: jackscrews #2-56
 9: jackscrews #4-40



ITEM	DESC.	MATERIAL	REMAKS	PART REMAKS
4	CABLE CLIPPER	STEEL	PLATING: Ni	
3	FLAT SCRWE	STEEL	PLATING: Ni	
2	JACK SCRWE	STEEL	PLATING: Ni	
1	BACKSHELL	ZINC ALLOY	PLATING: Ni	

△				QUALITY SYMBOLS
△				□: ☒: x: ±0.80
△	2019/09/21 新版发行		Jack Chen	CRITICAL MAJOR .x ±0.50
SIDE	DATE	DESCRIPTION	APPROVER	ZERO DEFECT S.P.C ∇: ∇: .xx ±0.30

Tolerance		NAME:	SCSI 26P公头锌合金组装外壳螺丝式OD7.0		PART NO.	B03-026NN8NX-70	
.x	±0.80	REV:	A	UNIT:	mm	DRW BY	CHK BY
.x	±0.50	SCALE:	N:1	DATE:	2019/09/21	Huangmei	Jack Chen
.xx	±0.30	Lineconn 东莞市林诚塑胶电子有限公司		http://www.lineconn.com		TEL:0769-85181660 85181770	