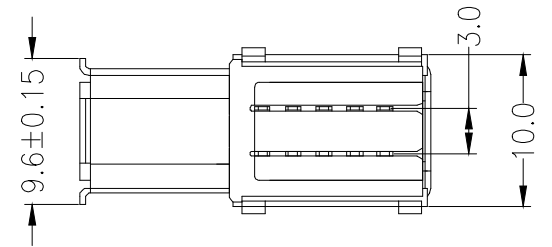
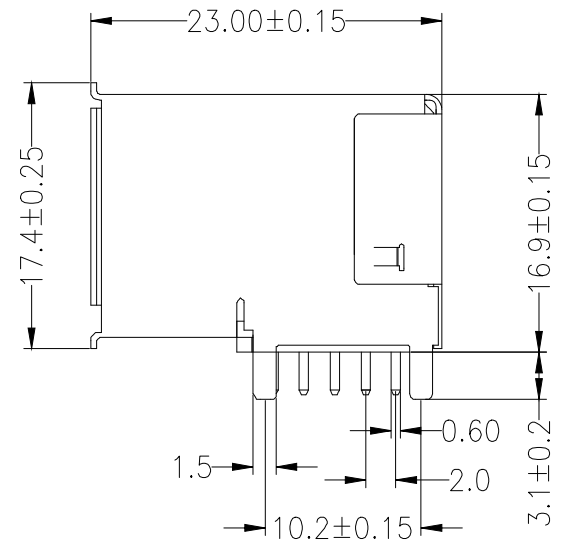
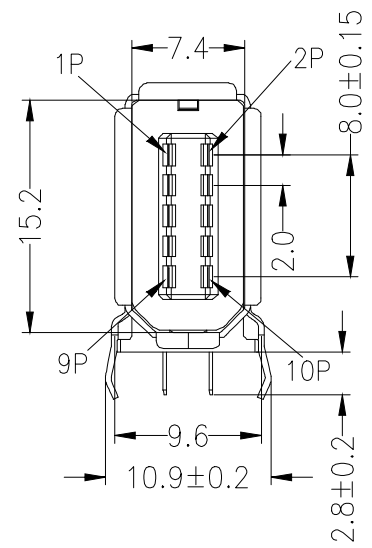


Voltage Current Rating: 1.5 AMP.  
 Dielectric Withstanding Voltage: 500V AC  
 Insulation Resistance: 1000MΩ Min.  
 Temperature Range: -25°C to +85°C  
 Part No. :

B01-010A1X XN-01  
 Shell Material:  
 1: SPCC  
 3: Copper Alloy  
 Contact Area:  
 A: G/F  
 C: Au 3u"



3	SHELL	COPPER ALLOY/SPCC	PALTING: Ni
2	HOUSING	PBT+30%GF	COLOR: BLACK
1	TERMINAL	COPPER ALLOY	CONTACT AREA: SEE PART NO. SOLDER AREA: G/F
ITEM	DESC.	MATERIAL	REMAKS

△	2023/12/15	Change part number	Huangmei	QUALITY SYMBOLS □:      ⊠: CRITICAL MAJOR ▽:      ▽: ZERO DEFECT S.P.C	Tolerance .x      ±0.60 .x      ±0.40 .xx     ±0.25	NAME: SM 10P 母头侧插 (客户用图)				PART NO.	B01-010A1XXN-01		
△	2023/05/31	Add contact area plating specifications	Huangmei			REV:	D	UNIT:	mm	DRW BY	CHK BY	APP BY	DRAWING NO.
△	2019/11/06	New issue	JINGLI			SCALE:	N:1	DATE:	2019/11/06	Huangmei	Jack Chen		B05-025
SIDE	DATE	DESCRIPTION	APPROVER			东莞市林诚塑胶电子有限公司 <a href="http://www.lineconn.com">http://www.lineconn.com</a> TEL: 0769-85181660 85181770							