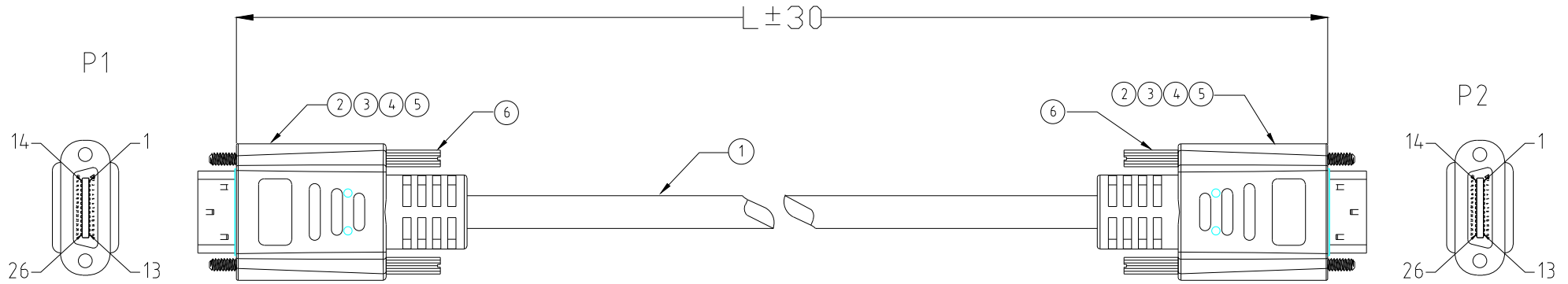
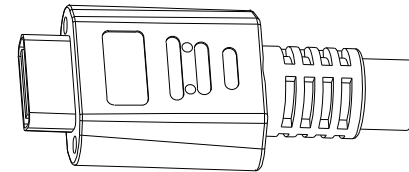
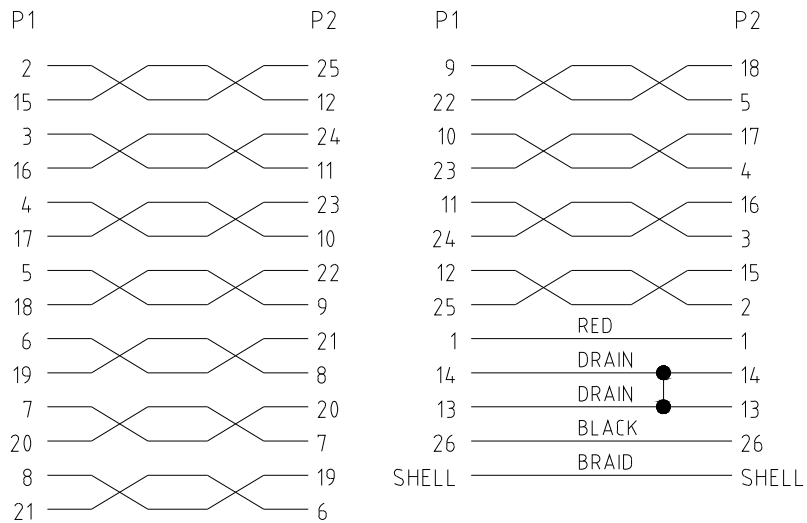


RoHS



Wire Assignment:



NOTES:

1. OPEN/SHORT/INTERMITTENCE:100% TEST
2. DIELECTRIC WITHSTAND:AC100V/1MIN.
3. INSULATION RESISTANCE:DC 100V/10MΩ (MIN)
4. CONDUCTIVE RESISTANCE:See TABLE A

6	SCREW	M2.0 Thumbscrew L=40.5MM	4PCS
5	COPPER FOIL	COPPER FOIL W=25MM	NA
4	OVERMOLD	45P PVC COLOR: BLACK	NA
3	MOLD	PE	NA
2	CONNECTOR	SDR 26P Male Insulatin:Black Shell:NI	2PCS
1	CABLE 1	UL1242(1P×28#+AL)×11C+2C×24#+2D+ FEP tape + Free -edge-AL-MYLAR +B BLACK OD:9.5	1PCS
ITEM	PART NAME	DESCRIPTION	QY'T

△			
△			
△	2017/03/20	新版发行	Jing Li
SIDE	DATE	DESCRIPTION	APPROVER
8	7	6	5

QUALITY SYMBOLS		Tolerance	
□:	☒:	尺寸(MM)	公差(MM)
CRITICAL	MAJOR	300~2000	±50
▽:	▽:	2001~5000	±100
ZERO DEFECT	S.P.C	5001~	±150

NAME:	工业相机Camera Link SDR连接线 (客户用图)			PART NO.	A10-02612XXX-02		
REV:	A	UNIT:	mm	DRW BY	CHK BY	APP BY	DRAWING NO.
SCALE:	NONE	DATE:	2017/03/20	Jing Li	Jack Chen		A10-005
lineconn 东莞市林诚塑胶电子有限公司				http://www.lineconn.com			
				TEL:0769-85181660 85181770			
3	2	1					