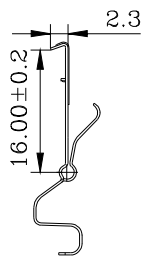
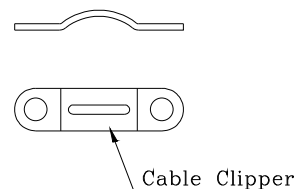
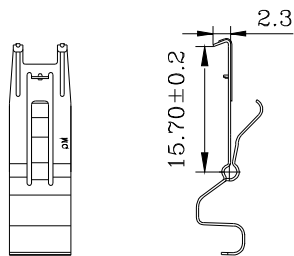


<HPDB>



<HPCN>



• PART NO.:

BXX-050NN8NH-XX

SPECIFICATION:

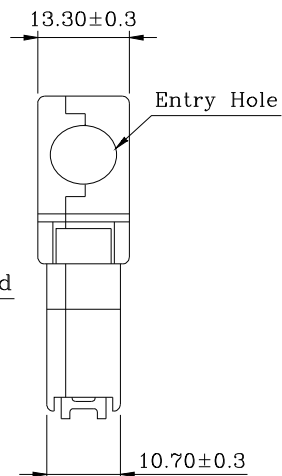
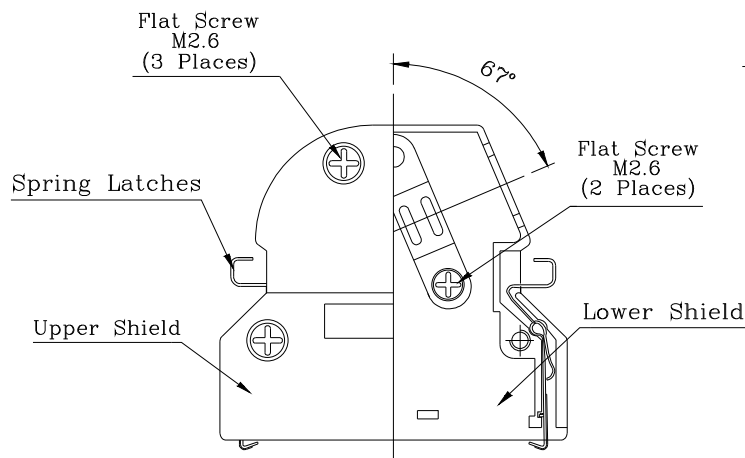
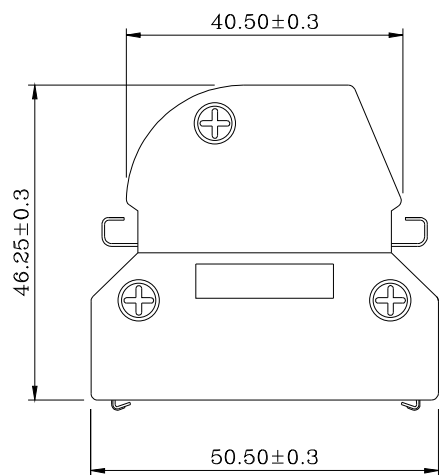
02:HPDB

03:HPCN

ENTRY HOLE SIZES:

90:9.0mm

1B:11.0mm



ITEM	DESC.	MATERIAL	REMAKS	PART REMAKS
4	CABLE CLIPPER	STEEL	PLATING: Ni	
3	FLAT SCRWE	STEEL	PLATING: Ni	
2	SPRING LATCH	STAINLESS STEEL		
1	BACKSHELL	ZINC ALLOY	PLATING: Ni	

A	△			QUALITY SYMBOLS	Tolerance	NAME:	SCSI 50P MALE 铝合金组装外壳侧方出线弹片 (客户用图)				PART NO.	BXX-050NN8NH-X0		
	△			□: ☒:	x. ±0.80	REV:	A	UNIT:	mm	DRW BY	CHK BY	APP BY	DRAWING NO.	
	△	2010/04/09	新版发行	CRITICAL MAJOR	.x ±0.50	SCALE:	N:1	DATE:	2010/04/09	JACK CHEN	DEAN FAN		BXX-A08	
	SIDE	DATE	DESCRIPTION	APPROVER	ZERO DEFECT S.P.C	.xx ±0.30	东莞市林诚塑胶电子有限公司 http://www.lineconn.com TEL:0769-85181660 85181770							