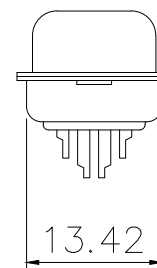
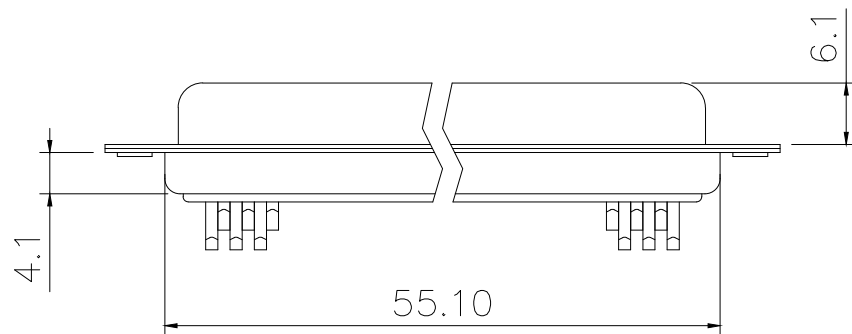


Voltage Current Rating:5 AMP.
 Dielectric Withstanding Voltage:1000V AC
 Insulation Resistance:1000MΩ Min.
 Temperature Range:-25°C to +85°C

PART NO: B04-0784X1AN-01

HOUSING COLOR:
 1 = BLACK
 5 = WHITE
 6 = BLUE



4	REAR SHELL	SPCC	PALTING: Sn	
3	FRONT SHELL	SPCC	PALTING: Ni	
2	HOUSING	PBT+30%GF	COLOR: SEE PART NO.	
1	TERMINAL	COPPER ALLOY	CONTACT AREA: G/F SOLDER AREA: Sn	
ITEM	DESC.	MATERIAL	REMARKS	PART REMARKS

			QUALITY SYMBOLS
			□: ☒: Tolerance
△	2010/06/03	NEW ISSUE	CRITICAL MAJOR
SIDE	DATE	DESCRIPTION	ZERO DEFECT S.P.C
8	7	6	5

NAME: HD.D-SUB 78P母头传统焊线式 (客户用图)		PART NO.	B04-0784X1AN-01
REV: A	UNIT: mm	CHK BY	APP BY
SCALE: N:1	DATE: 2010/06/03	JINGLI	KING ZHOU
DRAWING NO.		DRAWING NO.	
		B04-009	


 东莞市林诚塑胶电子有限公司
 <http://www.lineconn.com>
 TEL:0769-85181660 85181770