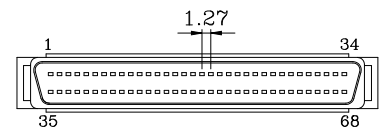
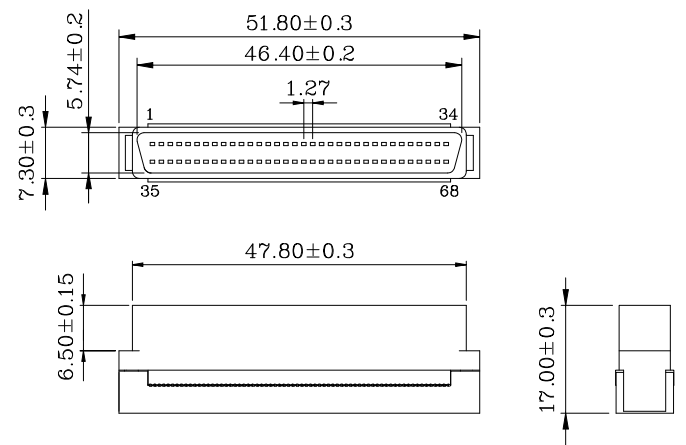
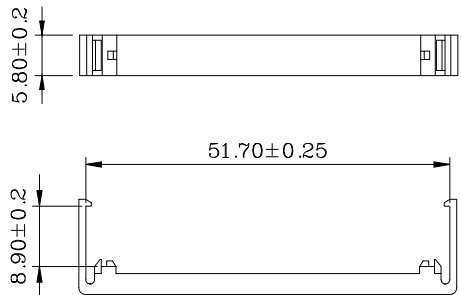


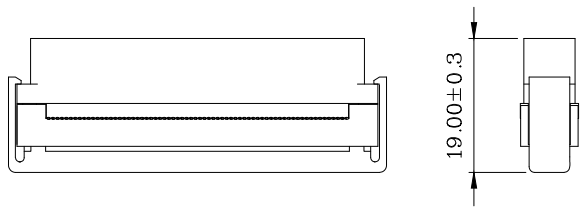
Cover



Current Rating: 1 Amp  
 Insulation Resistance: 500MΩ/Min  
 Withstanding Voltage: 500V AC/Min  
 Contact Resistance: 35mΩ Max  
 Operation Temperature: -25°C ~ +85°C



Strain Relief



3	COVER	PBT+G.F.30% (UL 94V-0)	COLOR: BLACK	
2	HOUSING	PBT+G.F.30% (UL 94V-0)	COLOR: BLACK	
1	TERMINAL	PHOSPHOR BRONZE	CONTACT AREA: Au 5u" SOLDER AREA: Sn UNDER-PLATING: Ni	
ITEM	DESC.	MATERIAL	REMARKS	PART REMARKS

△				QUALITY SYMBOLS	Tolerance	NAME:	SCSI PIN TYPE 68P MALE全塑压排线 (客户用图)				PART NO.	B02-06811NEN-00	
△				□:    ☒:	.x    ±0.80	REV:	A	UNIT:	mm	DRW BY	CHK BY	APP BY	DRAWING NO.
△	2013/03/12	新版发行	Dean Fan	CRITICAL MAJOR	.x    ±0.50	SCALE:	N:1	DATE:	2013/03/12	JACK CHEN	DEAN FAN		B02-048
SIDE	DATE		DESCRIPTION	APPROVER	ZERO DEFECT S.P.C								
8	7												

Tolerance: .x ±0.80, .x ±0.50, .xx ±0.30  
 NAME: SCSI PIN TYPE 68P MALE全塑压排线 (客户用图)  
 REV: A    UNIT: mm    DRW BY: JACK CHEN    CHK BY: DEAN FAN    APP BY:   
 SCALE: N:1    DATE: 2013/03/12  
**lineconn** 东莞市林诚塑胶电子有限公司    http://www.lineconn.com  
 TEL:0769-85181660 85181770