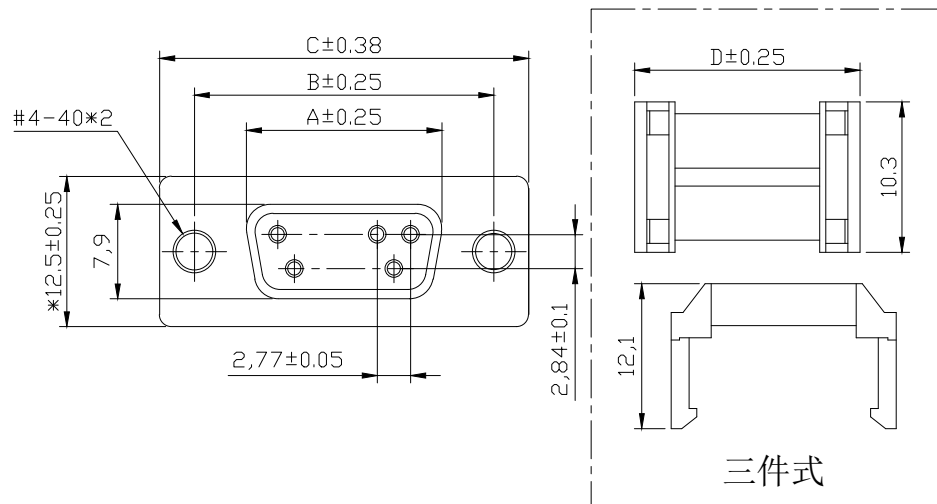
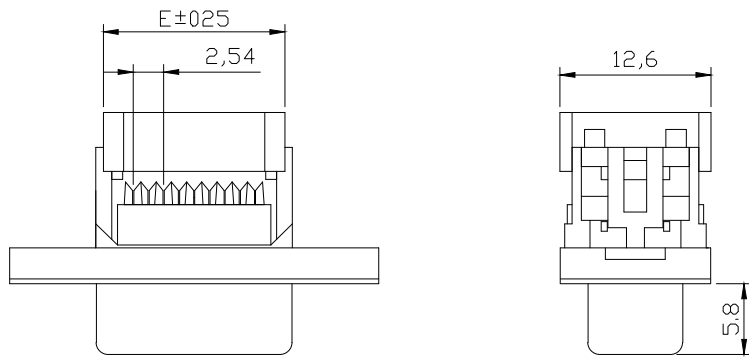


Positions	A	B	C	D	E
09	16.25	24.99	30.81	18.80	15.0
15	24.80	33.32	39.14	26.90	23.6
25	38.30	47.04	53.04	40.30	37.2
37	54.80	63.50	69.32	56.95	53.75



**Voltage Current Rating: 3 AMP.**  
**Dielectric Withstanding Voltage: 1000V AC**  
 Insulation Resistance: 1000MΩ Min.  
 Temperature Range: -25°C to +85°C

PART NO: B05-0XX211BN-01

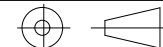
NO.OF CONTACT:   
 09 = 9 pos  
 15 = 15 pos  
 25 = 25 pos  
 37 = 37 pos

4	REAR SHELL	SPCC	PALTING: Sn	
3	FRONT SHELL	SPCC	PALTING: Ni	
2	HOUSING	PBT+30%GF	COLOR: BLACK	
1	TERMINAL	COPPER ALLOY	CONTACT AREA: G/F IDC AREA: Ni	
ITEM	DESC.	MATERIAL	REMAKS	PART REMAKS

QUALITY SYMBOLS

□: CRITICAL  
 ▽: ZERO DEFECT  
 ☒: MAJOR  
 ▽: S.P.C

Tolerance  
 x. ±0.50  
 .x ±0.30  
 .xx ±0.25



NAME:	D-SUB IDC压排式母头 通孔 (客户用图)				PART NO.	B05-0XX211BN-01		
REV:	A	UNIT:	mm	DRW BY	CHK BY	APP BY	DRAWING NO.	
SCALE:	N:1	DATE:	2011/10/06	JINGLI	KING ZHOU		B05-064	

**lineconn** 东莞市林诚塑胶电子有限公司 <http://www.lineconn.com>  
 TEL: 0769-85181660 85181770

△	2011/10/06	NEW ISSUE	JINGLI
SIDE	DATE	DESCRIPTION	APPROVER