

**ELECTRICAL:**

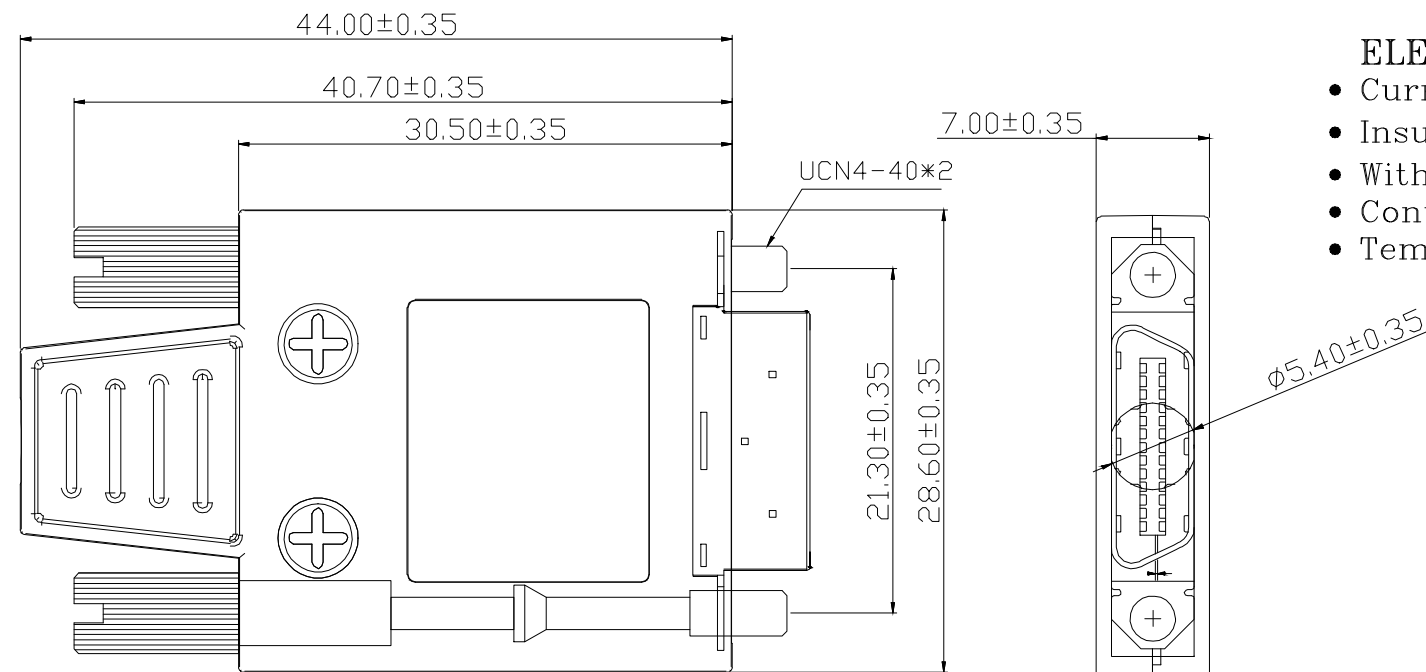
- Current Rating: 1 Amp
- Insulation Resistance: 500MΩ/Min
- Withstanding Voltage: 250V AC/Min
- Contact Resistance: 35mΩ Max
- Temperature Range: -25°C ~ +85°C

3	HOUSING	LCP+30%GF	COLOR:BEIGE	
2	SHELL	SPCC	PLATING:Ni	
1	TERMINAL	COPPER ALLOY T=0.3mm	CONTACT AREA:G/F SOLDER AREA:Sn UNDER-PLATING:Ni	
ITEM	DESC.	MATERIAL	REMARKS	PART REMARKS

△	2021/04/14	修正电气参数	JACK CHEN
△	2014/09/23	NEW ISSUE	JACK CHEN
SIDE	DATE	DESCRIPTION	APPROVER
8	7	6	5

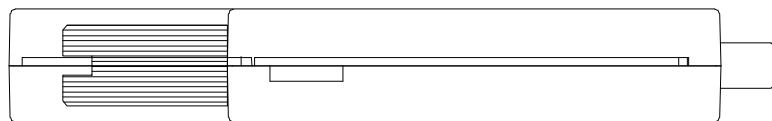
QUALITY SYMBOLS		Tolerance		NAME: CISCO 26P PITCH 1.0mm MALE SOLDER TYPE (客户用图)		PART NO. B06-0263C1AN-02	
□:	☒:	x.	±0.50	REV:	B	UNIT:	mm
CRITICAL	MAJOR	.x	±0.30	SCALE:	N:1	DATE:	2014/09/23
▽:	▽:	.xx	±0.25	DRAWN BY: JACK CHEN			
ZERO DEFECT	S.P.C			CHECKED BY: KING ZHOU		APP BY:	


**东莞市林诚塑胶电子有限公司**
<http://www.lineconn.com>  
 TEL:0769-85181660 85181770



**ELECTRICAL:**

- Current Rating: 1 Amp
- Insulation Resistance: 100MΩ/Min
- Withstanding Voltage: 250V AC/Min
- Contact Resistance: 35mΩ Max
- Temperature Range: -25°C ~ +85°C



6	JACKSCREWS	STEEL	PLATING: Ni	
5	CABLE CLIPPER	STEEL	PLATING: Ni	
4	BACK SHELL	ZINC ALLOY	PLATING: Ni	
3	HOUSING	LCP+30%GF	COLOR: BEIGE	
2	SHELL	SPCC	PLATING: Ni	
1	TERMINAL	COPPER ALLOY T=0.3mm	CONTACT AREA: G/F SOLDER AREA: Sn UNDER-PLATING: Ni	
ITEM	DESC.	MATERIAL	REMAKS	PART REMAKS

				QUALITY SYMBOLS	Tolerance	NAME: CISCO 26P PITCH 1.0mm MALE SOLDER ASSEMBLY (客户用图)				PART NO. B06-0263C1A9-02	
△	2021/04/14	修正电气参数	JACK CHEN	□:    ☒:	x.    ±0.50	REV:    B	UNIT:    mm	DRW BY	CHK BY	APP BY	DRAWING NO.
△	2014/09/23	NEW ISSUE	JACK CHEN	CRITICAL    MAJOR	.x    ±0.30	SCALE:    N:1	DATE:    2014/09/23	JACK CHEN	KING ZHOU		B06-013
▽				ZERO DEFECT    S.P.C	.xx    ±0.25	lineconn 东莞市林诚塑胶电子有限公司					http://www.lineconn.com
SIDE	DATE	DESCRIPTION	APPROVER			TEL: 0769-85181660 85181770					