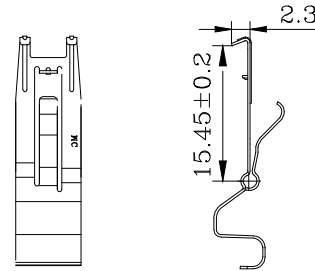
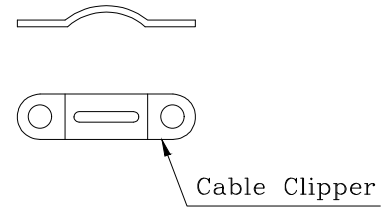


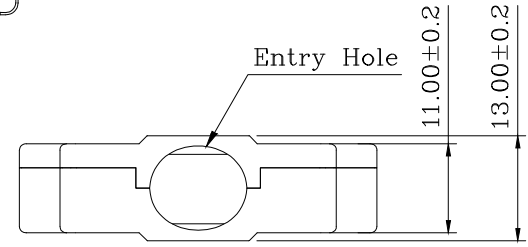
《 HPDB 》



《 HPCN 》



- Current Rating: 1 Amp
- Insulation Resistance: 500MΩ/Min
- Withstanding Voltage: 500V AC/Min
- Contact Resistance: 35mΩ Max
- Temperature Range: -25°C ~ +85°C



PART NO:

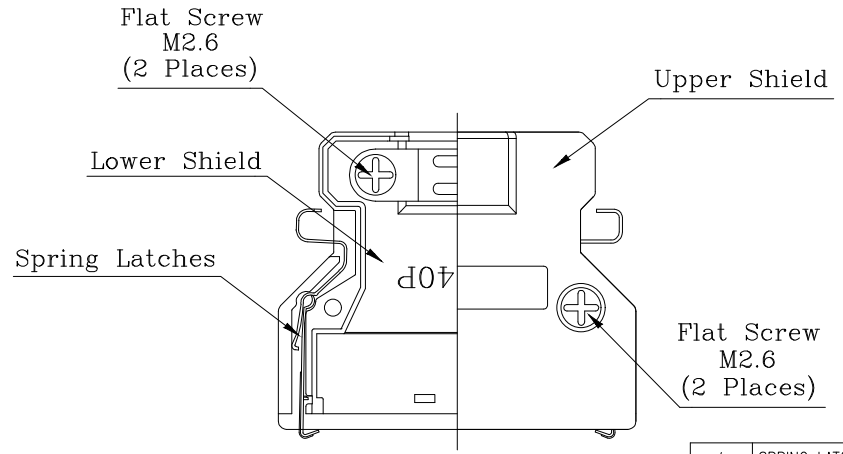
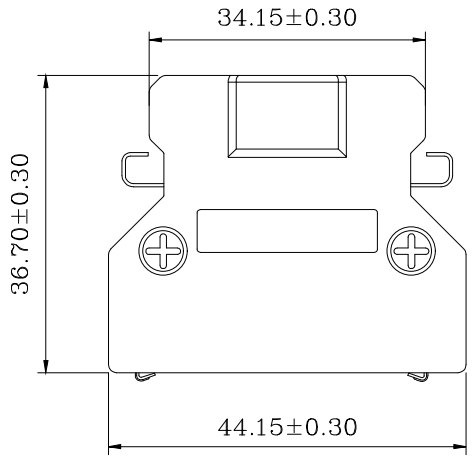
BXX-040NN8N3-XX

SPECIFICATION:

02:HPDB
03:HPCN

ENTRY HOLE SIZES:

90:∅9.0
1A:∅10.5



ITEM	DESC.	MATERIAL	REMARKS	PART REMARKS
4	SPRING LATCH	STAINLESS STEEL		
3	CABLE CLIPPER	STEEL	PLATING:Ni	
2	FLAT SCREWS	STEEL	PLATING:Ni	
1	BACK SHELL	ZINC ALLOY	PLATING:Ni	

SIDE	DATE	DESCRIPTION	APPROVER
△	2010/01/09	NEW ISSUE	JINGLI

QUALITY SYMBOLS		Tolerance	
□:	☒:	.x	±0.50
CRITICAL	MAJOR	.x	±0.30
▽:	▽:	.xx	±0.25
ZERO DEFECT	S.P.C		

NAME:		PART NO.	
SCSI 40P MALE 锌合金组装外壳弹片式 (客户用图)		BXX-040NN8N3-XX	
REV: A	UNIT: mm	DRW BY: KING ZHOU	CHK BY: APP BY: DRAWING NO. BXX-A05
SCALE: N:1	DATE: 2010/01/09	JINGLI	