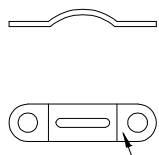
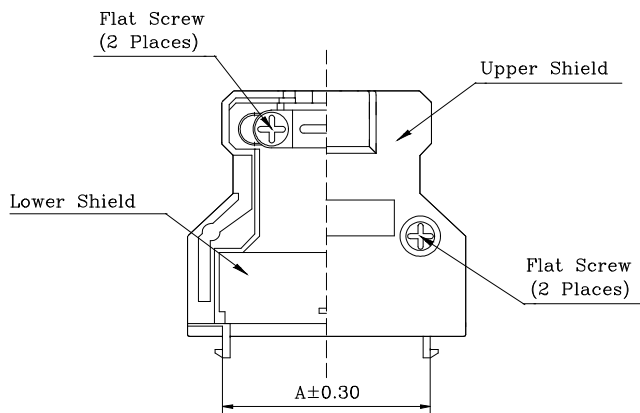
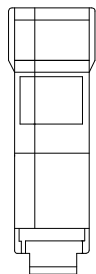
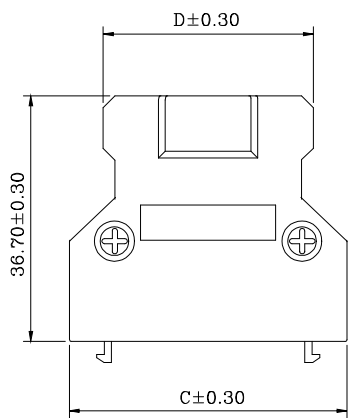


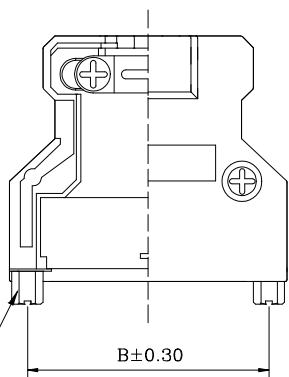
Entry Hole



Cable Clipper



L Type



S Type

PART NO: B02-0XX4N8NX-X1

No.OF CONTACTS:
 26= 26P
 36= 36P
 50= 50P
 68= 68P

BRACKET/SCREWS:
 3:BRACKET
 7:SCREWS M2.6
 8:SCREWS #2-56

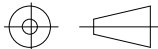
ENTRY HOLE SIZES:
 A:∅7.5mm(26,36P)
 B:∅9.0mm(26,36,50P)
 C:∅11.0mm(50,68P)
 D:∅14.0mm(68P)

Dimensions:

| No.of contacts: | A | B | C | D |
|-----------------|-------|-------|-------|-------|
| 26 | 24.64 | 31.26 | 35.10 | 25.10 |
| 36 | 31.05 | 37.61 | 41.50 | 31.40 |
| 50 | 39.88 | 46.50 | 50.60 | 40.50 |
| 68 | 51.32 | 57.90 | 61.50 | 51.20 |

| 3 | CABLE CLIP | STEEL | PLATING:Ni | |
|------|------------|------------|------------|-------------|
| 2 | SCREW | STEEL | PLATING:Ni | |
| 1 | BACK SHEEL | ZINC ALLOY | PLATING:Ni | |
| ITEM | DESC. | MATERIAL | REMAKS | PART REMAKS |

| | | | | QUALITY SYMBOLS | Tolerance | NAME: | SCST FEMALE ASSEMBLY 锌合金外壳 (客户用图) | | | PART NO. | B02-0XX4N8NX-X1 | | |
|------|------|-------------|----------|-------------------|--------------|---------------|-----------------------------------|-------|------------|----------|-----------------|--------|--|
| | | | | □: ☒: | x. ±0.50 | REV: | A | UNIT: | mm | DRW BY | CHK BY | APP BY | DRAWING NO. |
| | | | | CRITICAL MAJOR | .x ±0.30 | SCALE: | N:1 | DATE: | 2014/11/07 | JINGLI | DEAN FAN | | B02-035 |
| | | | | ▽: ▽: | .xx ±0.25 | 东莞市林诚塑胶电子有限公司 | | | | | | | http://www.lineconn.com TEL: 0769-85181660 85181770 |
| SIDE | DATE | DESCRIPTION | APPROVER | ZERO DEFECT S.P.C | | | | | | | | | |



lineconn 东莞市林诚塑胶电子有限公司

http://www.lineconn.com
 TEL: 0769-85181660 85181770