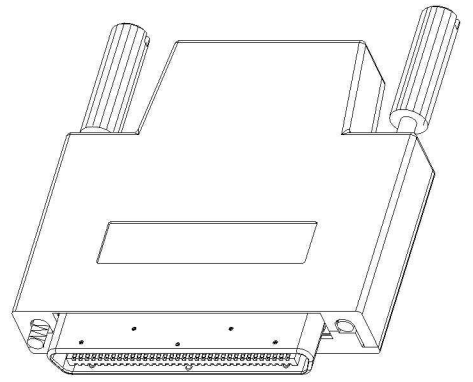
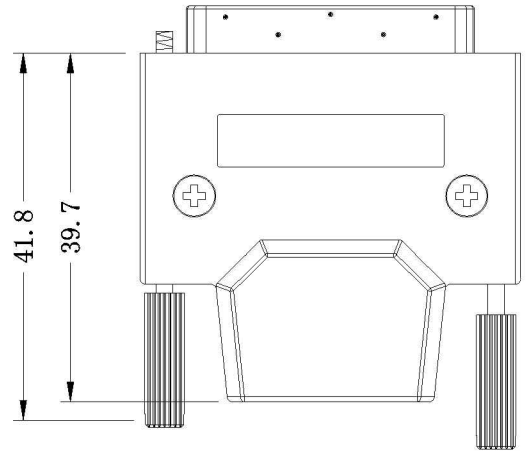
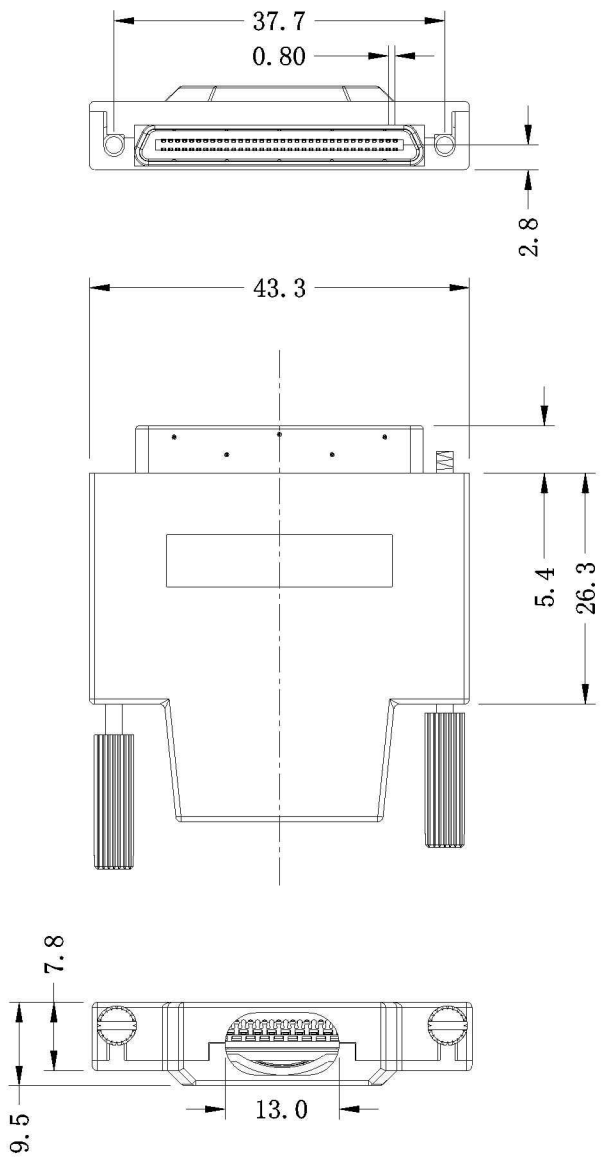


B-B

Voltage Current Rating: 2 AMP.
 Dielectric Withstanding Voltage: 500V
 Insulation Resistance: 500MΩ Min.
 Temperature Range: -25°C to +85°C

ITEM	DESC.	MATERIAL	REMAKS	PART REMAKS
4	SHELL	SPCC T=0.30mm	PLATED NI	
3	HOUSING	PBT+30% UL 94-V0	COLOR:BLACK	
2	COVER	LCP+15% UL 94-V0	COLOR:BLACK	
1	TERMINAL	COPPER ALLOY	CONTACT AREA: G/F SOLDER AREA: Sn UNDER-PLATING: Ni	

A		B		C		D		E		F			
△													
△													
△	2017/01/12 新版发行		King Zhou	QUALITY SYMBOLS	Tolerance	NAME:	VHDCI 68P MALE SOLDER (客户用图)			PART NO.	B06-068311A0-01		
SIDE	DATE	DESCRIPTION	APPROVER	CRITICAL MAJOR	.x ±0.80 .x ±0.50 .xx ±0.25	REV:	A	UNIT:	mm	DRW BY	CHK BY	APP BY	DRAWING NO.
				ZERO DEFECT S.P.C		SCALE:	N:1	DATE:	2017/01/12	DAWN HU	KING ZHOU		B06-002
						lineconn		东莞市林诚塑胶电子有限公司			http://www.lineconn.com		
											TEL: 0769-85181660 85181770		



Voltage Current Rating:2 AMP.
 Dielectric Withstanding Voltage:500V
 Insulation Resistance:500MΩ Min.
 Temperature Range:-25℃ to +85℃

ITEM	DESC.	MATERIAL	REMARKS	PART REMARKS
3	NUT	STEEL	PLATED NI	
2	SCREW	STEEL	PLATED NI	
1	HOOD	ZINC ALLOY	PLATED NI	

△				
△				
△	2017/01/16	新版发行	King Zhou	
SIDE	DATE	DESCRIPTION	APPROVER	
8	7	6	5	4

QUALITY SYMBOLS		Tolerance	
□:	☒:	x.	±0.80
CRITICAL	MAJOR	.x	±0.50
▽:	▽:	.xx	±0.25
ZERO DEFECT	S.P.C		

NAME: VHDCI 68P MALE ASSEMBLY HOOD				PART NO. B06-068NN1NA-01	
(客户用图)					
REV: A	UNIT: mm	DRW BY: DAWN HU	CHK BY: KING ZHOU	APP BY:	DRAWING NO. B06-003
SCALE: N:1	DATE: 2017/01/16	http://www.lineconn.com		TEL: 0769-85181660 85181770	
lineconn		东莞市林诚塑胶电子有限公司			
3	2	1			