

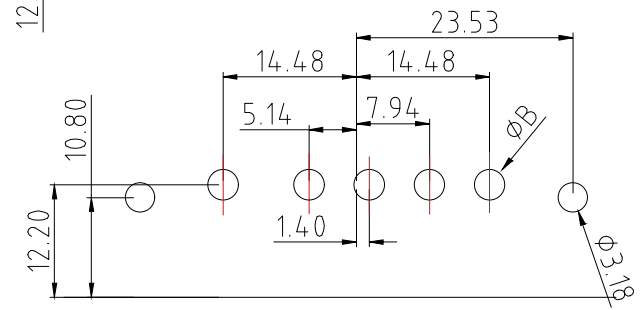
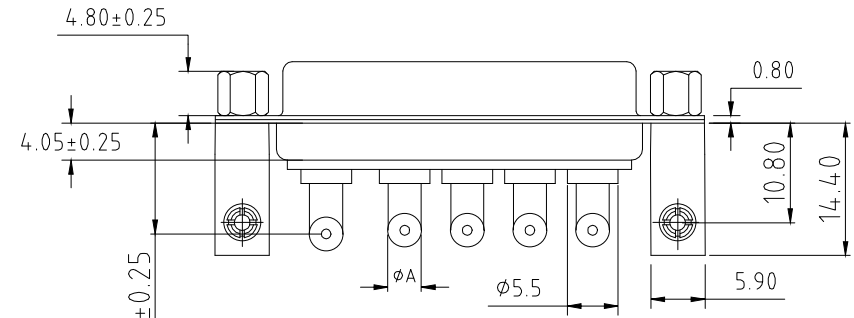
PO(X)	电流强度(A)	φA	PCB φB
1	10	1.7	2.0
2	20	2.75	3.0
3	30	3.3	3.6
4	40	3.8	4.10

PART NO: B08-5W56X14D-X1

Housing Color:
 1 = Black
 3 = Blue
 5 = White

Current Rating:
 A = 10 AMPS
 B = 20 AMPS
 C = 30 AMPS
 D = 40 AMPS

High Power Contact Current Rating: 10, 20, 30 or 40AMPS
High Power Contact Resistance: 2.7 Milliohms Max.
Dielectric Withstanding Voltage: 1000V AC For 1 Minute
 Insulation Resistance: 5000MΩ Min.
 Temperature Range: -25°C to +85°C



PCB LAYOUT

ITEM	DESC.	MATERIAL	REMARKS	PART REMARKS
6	JACKSCREWS	STEEL	PLATING: Ni	
5	HOUSING	PBT+30%GF	COLOR: SEE PART NO.	
4	RIVETED INSERT	BRASS	PLATING: Ni	
3	REAR SHELL	SPCC	PLATING: Sn	
2	FRONT SHELL	SPCC	PLATING: Ni	
1	TERMINAL	BRASS	TERMINAL FINISH: FULL GOLD FINISHED 2u"	

△	2017/04/10	NEW ISSUE	JINGLI
SIDE	DATE	DESCRIPTION	APPROVER
8	7	6	5

QUALITY SYMBOLS	Tolerance
□: ☒:	x. ±0.50
CRITICAL MAJOR	.x ±0.30
▽: ▽:	.xx ±0.25
ZERO DEFECT S.P.C	

NAME:	5W5 90度母头铆支架鱼叉锁螺丝 (客户用图)				PART NO.	B08-5W56X14D-X1		
REV:	A	UNIT:	mm	DRW BY	CHK BY	APP BY	DRAWING NO.	
SCALE:	N:1	DATE:	2017/04/10	JINGLI	KING ZHOU		B08-051	
lineconn 东莞市林诚塑胶电子有限公司				http://www.lineconn.com				
				TEL: 0769-85181660 85181770				
8	7	6	5	4	3	2	1	