

No. of Contact	A	B	C	D
15	16.9	25.0	30.8	19.0
26	25.3	33.3	39.2	27.7
44	39.0	47.0	53.0	41.0
62	55.4	63.5	69.4	57.3

**Voltage Current Rating: 5 AMP.**  
**Dielectric Withstanding Voltage: 1000V AC**  
**Insulation Resistance: 1000MΩ Min.**  
**Temperature Range: -25°C to +85°C**

PART NO: B04-0XX3X1A0-E5

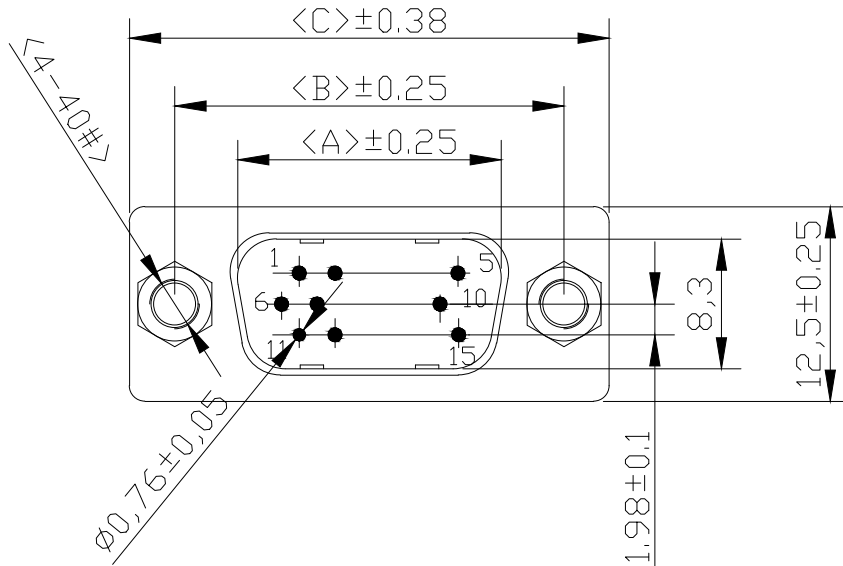
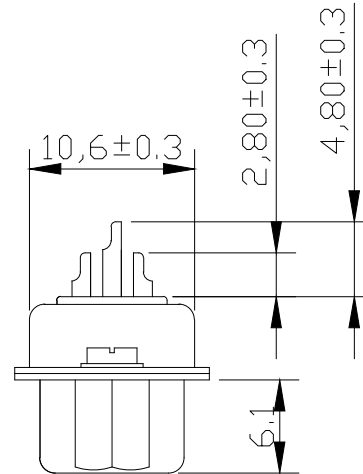
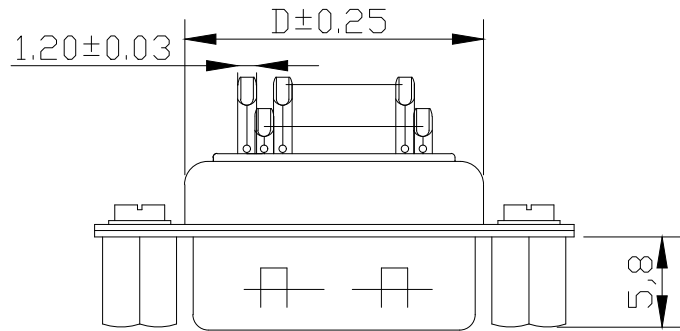
NO.OF CONTACT:

- 15 = 15 pos
- 26 = 26 pos
- 44 = 44 pos
- 62 = 62 pos

HOUSING COLOR:

- 1 = BLACK
- 5 = WHITE
- 6 = BLUE

ITEM	DESC.	MATERIAL	REMARKS	PART REMARKS
5	SCREW	STEEL	PALTING: Ni	
4	REAR SHEEL	SPCC	PALTING: Sn	
3	FRONT SHEEL	SPCC	PALTING: Ni	
2	HOUSING	PBT+30%GF	COLOR: SEE PART NO.	
1	TERMINAL	COPPER ALLOY	CONTACT AREA: G/F SOLDER AREA: Sn	



QUALITY SYMBOLS

- : CRITICAL
- ☒: MAJOR
- ▽: ZERO DEFECT
- ▽: S.P.C

Tolerance

- x. ±0.50
- .x ±0.30
- .xx ±0.25

NAME:

HD.D-SUB 公头传统焊线式前铆5.8实芯螺母 (客户用图) PART NO. B04-0XX3X1A0-E5

REV:

A UNIT: mm DRW BY: JINGLI CHK BY: KING ZHOU APP BY: DRAWING NO. B04-018

SCALE:

N:1 DATE: 2009/09/04 JINGLI KING ZHOU

lineconn 东莞市林诚塑胶电子有限公司 http://www.lineconn.com TEL: 0769-85181660 85181770

SIDE	DATE	DESCRIPTION	APPROVER
△	2009/09/04	NEW ISSUE	JINGLI