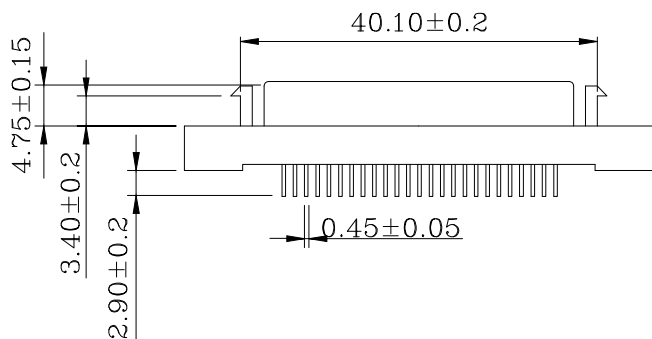
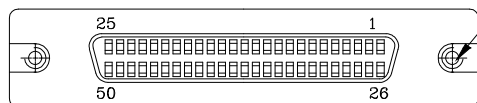


L TYPE

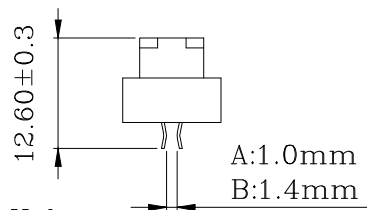
Threaded Hole
(2 Places)



S TYPE



Threaded Hole
(2 Places)



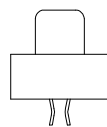
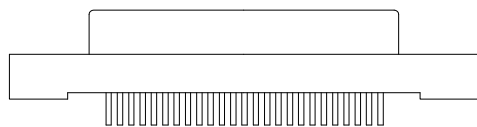
• ELECTRICAL CHARACTERISTICS

- Contact Current Rating: 1 Amp
- Dielectric Withstanding Voltage: 500V AC
- Insulation Resistance: 500MΩ/Min
- Contact Resistance: 35mΩ/Max
- Operation Temperature: -25°C ~ +85°C

PART NO: B02-050F18EN-X X

PCB MOUNTING:
A:1.0mm(For PCB 1.2mm)
B:1.4mm(For PCB 1.6mm)

BRACKET FINISHES:
L:LATCH BRACKET
S:SCREW BRACKET



3	HOUSING	PBT+G.F.30% (UL 94V-0)	COLOR:BLACK	
2	SHELL	ZINC	PLATING:Ni	
1	TERMINAL	PHOSPHOR BRONZE	CONTACT AREA: Au 5u" SOLDER AREA: Sn UNDER-PLATING: Ni	
ITEM	DESC.	MATERIAL	REMAKS	PART REMAKS

△			
△			
△	2016/08/04 新版发行	King Zhou	
SIDE	DATE	DESCRIPTION	APPROVER

QUALITY SYMBOLS		Tolerance		NAME: SCSI PIN TYPE 50P FEMALE 夹板式 (客户用图)		PART NO. B02-050F18EN-X X	
□:	☒:	x.	±0.80	REV:	A	UNIT:	mm
CRITICAL	MAJOR	.x	±0.50	SCALE:	N:1	DATE:	2016/08/04
▽:	▽:	.xx	±0.30	DRW BY JACK CHEN		CHK BY DEAN FAN	APP BY
ZERO DEFECT	S.P.C			DRAWING NO. B02-061			

 东莞市林诚塑胶电子有限公司
<http://www.lineconn.com>
 TEL:0769-85181660 85181770