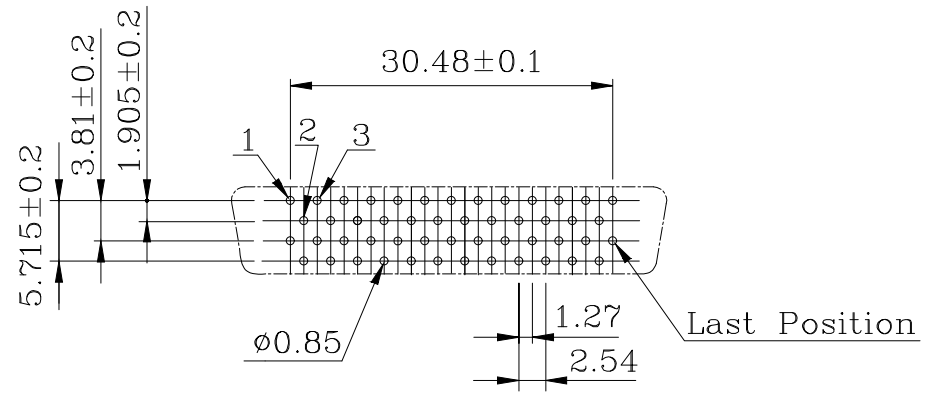


- ELECTRICAL CHARACTERISTICS
 - Contact Current Rating: 1 Amp
 - Dielectric Withstanding Voltage: 500V AC
 - Insulation Resistance: 500MΩ/Min
 - Contact Resistance: 35mΩ/Max
 - Operation Temperature: -25°C ~ +85°C



PCB Layout

3	HOUSING	PBT+G.F.30% (UL 94V-0)	COLOR: BLACK	
2	SHELL	SPCC	PLATING: Ni	
1	TERMINAL	PHOSPHOR BRONZE	CONTACT AREA: Au 5u" SOLDER AREA: Sn UNDER-PLATING: Ni	
ITEM	DESC.	MATERIAL	REMAKS	PART REMAKS

△			
△			
△	2016/07/19 新版发行		King Zhou
SIDE	DATE	DESCRIPTION	APPROVER

QUALITY SYMBOLS	Tolerance	NAME:	SCSI PIN TYPE 50P MALE 180° DIP (客户用图)				PART NO.	B02-050711EN-10		
□: ☒:	x. ±0.80	REV:	A	UNIT:	mm	DRW BY	CHK BY	APP BY	DRAWING NO.	
CRITICAL MAJOR	.x ±0.50	SCALE:	N:1	DATE:	2016/07/19	JACK CHEN	DEAN FAN		B02-056	
▽: ▽:	.xx ±0.30	东莞市林诚塑胶电子有限公司				http://www.lineconn.com TEL: 0769-85181660 85181770				
ZERO DEFECT S.P.C										