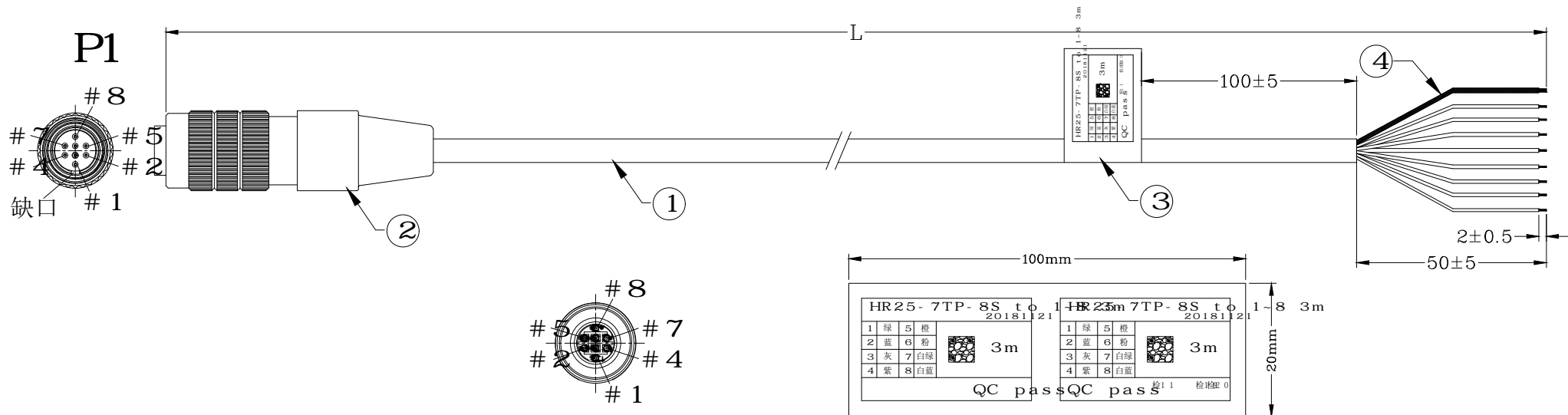


RoHS



连接器背面 (焊接面)

NYLON LABEL CONNECTION

- NOTES:**
1. ELECTRICAL TEST: 100% OPEN, SHORT & MISS WIRE TEST.
  2. CONDUCTOR RESISTANCE: 5 OHMS MAX.
  3. INSULATOR RESISTANCE: 10M OHMS MIN, AC 500V 0.01sec.
  4. INSTANT BREAK :3 SECONDS.
  5. THE DIMENSIONS MUST MEET THE SURFACE REQUIREMENTS..
  6. THIS PRODUCT MEET ROHS STANDARD ENVIRONMENTAL PROTECTION POLICY.
  7. APPEARANCE OF NO DIRT, DAMAGE, SCRATCH, DEFORMATION AND OTHER UNDESIRABLE PHENOMENA.

P1	BLACK	P2
1	BROWN	1
2	RED	2
3	YELLOW	3
4	GREEN	4
5	PURPLE	5
6	GRAY	6
7	WHITE	7
8	WHITE	8
SHELL	BRAID	F. G

4	TUBE	BLACK HEAT SHRINKABLE TUBE,DD1.0*48MM	1PCS
3	LABEL	NYLON LABEL,L100*W20MM,WHITE/BLACK	1PCS
2	CONN	8P CONNECTOR MODEL:HR25-7TP-8P	1SET
1	CABLE	UL20276 26AWGx8C+AL+B,DD5.6 BLACK	NA
ITEM	PART NAME	DESCRIPTION	QY/T

A	△			QUALITY SYMBOLS	Tolerance		NAME: 工业相机电源线CC8F-XM (客户用图)				PART NO.	A10-00851XXX-03		
	△			□:    ☒:	尺寸(MM)	公差(MM)	REV:	A	UNIT:	mm	DRW BY	CHK BY	APP BY	DRAWING NO.
	△	2018/09/11	新版发行	Jing Li	CRITICAL	MAJOR	SCALE:	NONE	DATE:	2018/09/11	Jing Li	Jack Chen		A10-003
	SIDE	DATE	DESCRIPTION	APPROVER	▽:    ▽:	ZERO DEFECT	S.P.C	lineconn 东莞市林诚塑胶电子有限公司				http://www.lineconn.com TEL:0769-85181660 85181770		
	8	7	6	5	5001~    ±150								1	