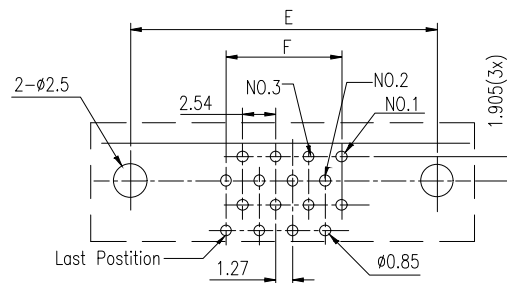
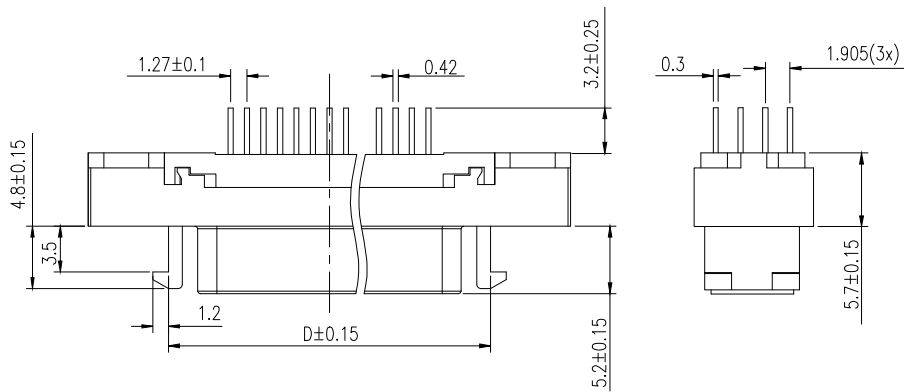
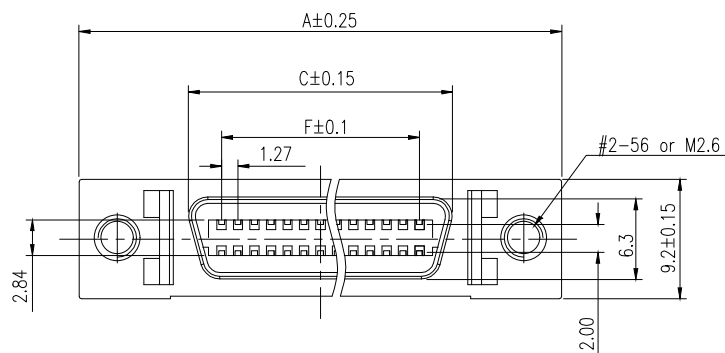


PCB Layout  
(14,26,50 Pos)



PCB Layout  
(20,36,40,68,100 Pos)



No. of Pin	DIMENSIONS					
	A	B	C	D	E	F
14	29.51	23.64	12.6	17.25	23.64	7.62
20	33.32	27.45	16.43	21.06	27.45	11.43
26	37.13	31.26	20.24	24.76	31.26	15.24
36	43.48	37.61	26.5	31.11	37.61	21.59
40	46.08	40.15	29.14	33.30	40.15	24.13
50	52.37	46.5	35.39	40.0	46.5	30.48
68	64.00	57.92	46.90	51.00	57.92	41.91
100	84.18	78.23	67.14	71.50	78.23	62.23

- ELECTRICAL:**
- Current Rating: 1 Amp
  - Insulation Resistance: 500MΩ/Min
  - Withstanding Voltage: 500V AC/Min
  - Contact Resistance: 35mΩ Max
  - Temperature Range: -55°C ~ +105°C

PART NO:  
B03-XXX818XB-01

CONTACT AREA:  
A:G/F  
C:Au 3u"  
H:Au 15u"

NO.OF CONTACT:  
14 = 14 pos  
100 = 100 pos

3	HOUSING	PBT+30%GF	COLOR:BLACK
2	SHELL	Zinc ALLOY	PLATING:Ni
1	TERMINAL	COPPER ALLOY	CONTACT AREA:SEE NOTE SOLDER AREA:Sn UNDER-PLATING:Ni
ITEM	DESC.	MATERIAL	REMARKS

QUALITY SYMBOLS		Tolerance		NAME: SCS1 FEMALE 180度DIP (客户用图)				PART NO. B03-XXX818XB-01	
□:	☒:	x.	±0.50	REV:	A	UNIT:	mm	DRW BY	CHK BY
CRITICAL	MAJOR	.x	±0.30	SCALE:	N:1	DATE:	2010/09/18	LIJING	KING ZHOU
∇:	∇:	.xx	±0.25	lineconn 东莞市林诚塑胶电子有限公司				http://www.lineconn.com	
ZERO DEFECT	S.P.C			TEL:0769-85181660 85181770					

SIDE	DATE	DESCRIPTION	APPROVER
△	2010/09/18	NEW ISSUE	JINGLI