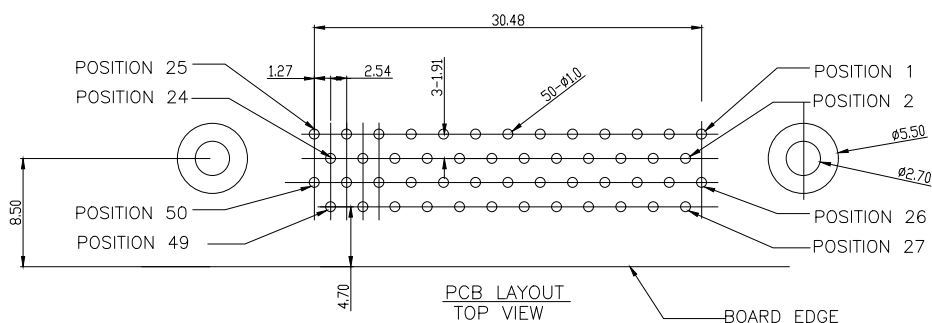


Voltage Current Rating: 1 AMP. 30V AC
Dielectric Withstanding Voltage: 500V AC
 Contact Resistance: 35 mΩ Max.
 Insulation Resistance: 500MΩ Min.
 Temperature Range: -20°C to +85°C

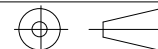
PART NO.:
 B03-050618X7-01

CONTACT AREA:
 A:G/F
 C: Au 3u"
 H: Au 15u"



5	BRACKET	STEEL	PLATING: Ni	
4	COVER	LCP+30%GF	COLOR: BLACK	
3	HOUSING	PBT+30%GF	COLOR: BLACK	
2	SHELL	ZINC ALLOY	PLATING: Ni	
1	TERMINAL	COPPER ALLOY T=0.3mm	CONTACT AREA: SEE NOTE SOLDER AREA: Sn UNDER-PLATING: Ni	
ITEM	DESC.	MATERIAL	REMAKS	PART REMAKS

△				QUALITY SYMBOLS	Tolerance	NAME:	SCSI 50P FEMALE 90度DIP 锌合金壳 (客户用图)				PART NO.	B03-050618X7-01		
△	2020/08/10	依实物修正PIN针排列方式	Jack Chen	□: ☒:	x. ±0.80	REV:	B	UNIT:	mm	DRW BY	CHK BY	APP BY	DRAWING NO.	
△	2015/05/12	新版发行	Jack Chen	CRITICAL MAJOR	.x ±0.50	SCALE:	N:1	DATE:	2015/05/12	Jing Li	Jack Chen		B03-005	
SIDE	DATE	DESCRIPTION	APPROVER	▽: ▽:	.xx ±0.25	Lineconn 东莞市林诚塑胶电子有限公司							http://www.lineconn.com TEL: 0769-85181660 85181770	
8	7	6	5	ZERO DEFECT S.P.C									1	



Lineconn 东莞市林诚塑胶电子有限公司
 http://www.lineconn.com
 TEL: 0769-85181660 85181770