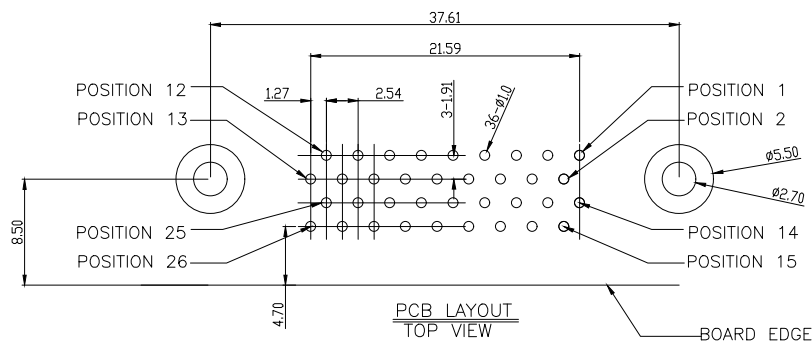


Voltage Current Rating: 1 AMP. 30V AC
Dielectric Withstanding Voltage: 500V AC
 Contact Resistance: 35 mΩ Max.
 Insulation Resistance: 500MΩ Min.
 Temperature Range: -20°C to +85°C

PART NO.:

B03-036618X7-01

CONTACT AREA:
 A:G/F
 C:Au 3u"
 H:Au 15u"



5	BRACKET	STEEL	PLATING: Ni
4	COVER	LCP+30%GF	COLOR: BLACK
3	HOUSING	PBT+30%GF	COLOR: BLACK
2	SHELL	ZINC ALLOY	PLATING: Ni
1	TERMINAL	COPPER ALLOY T=0.3mm	CONTACT AREA: SEE NOTE SOLDER AREA: Sn UNDER-PLATING: Ni
ITEM	DESC.	MATERIAL	REMARKS

QUALITY SYMBOLS		Tolerance		NAME: SCS1 36P FEMALE 90度DIP 锌合金壳 (客户用图)		PART NO. B03-036618X7-01	
□:	☒:	x.	±0.80	REV: A	UNIT: mm	DRW BY: Jing Li	CHK BY: Jack Chen
CRITICAL	MAJOR	.x	±0.50	SCALE: N:1	DATE: 2015/05/12		APP BY: Jack Chen
▽:	▽:	.xx	±0.25	DRAWING NO. B03-004			
ZERO DEFECT	S.P.C			lineconn 东莞市林诚塑胶电子有限公司 http://www.lineconn.com TEL: 0769-85181660 85181770			

△				QUALITY SYMBOLS	Tolerance	NAME: SCS1 36P FEMALE 90度DIP 锌合金壳 (客户用图)	PART NO. B03-036618X7-01
△				□:	☒:	REV: A	UNIT: mm
△	2015/05/12新版发行		Jack Chen	CRITICAL	MAJOR	SCALE: N:1	DATE: 2015/05/12
SIDE	DATE	DESCRIPTION	APPROVER	▽:	▽:	DRAWING NO. B03-004	
8	7			ZERO DEFECT	S.P.C	lineconn 东莞市林诚塑胶电子有限公司 http://www.lineconn.com TEL: 0769-85181660 85181770	