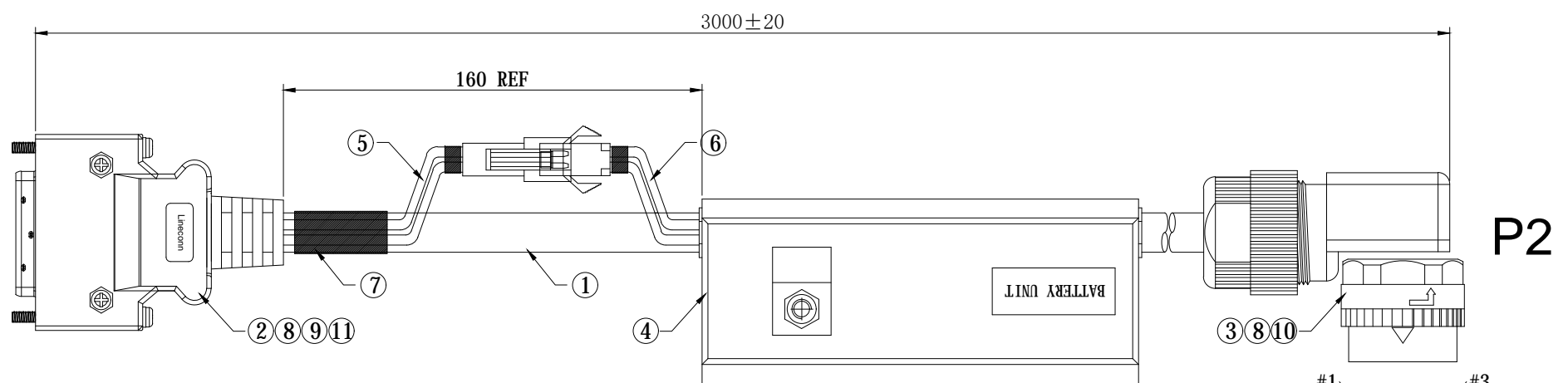
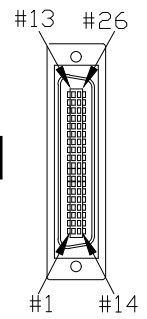


RoHS

P1

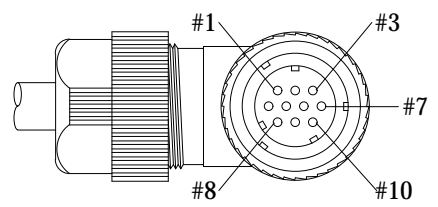


**PIN ASSIGNMENT**

SCSI 26P/M	WIRE COLOR	PLUG 10P	BATTERY UNIT
/	EMPTY	1	
/	BLACK	2	"-"
/	RED	3	"+"
2	BROWN	4	
20	YELLOW	5	
1	ORANGE	6	
14	RED/WHITE	7	
/	EMPTY	8	
/	EMPTY	9	
SHELL	BRAID	10	

PART NO.: A02-0266X XXX-02  
 COLOR: \_\_\_\_\_  
 1: BLACK  
 3: GREEN  
 LENGTH: \_\_\_\_\_  
 010:1m  
 100:10m

- NOTES:  
 1. ELECTRICAL TEST: 100% OPEN, SHORT & MISS WIRE TEST.  
 2. CONDUCTOR RESISTANCE: 5 OHMS MAX.  
 3. INSULATOR RESISTANCE: 1M OHMS MIN, DC 300V 0.01sec.  
 4. THIS PRODUCT MEET ROHS STANDARD ENVIRONMENTAL PROTECTION POLICY.



ITEM	PART NAME	DESCRIPTION	QY'T
13	PE BAG	PE BAG,T=0.04mm,W100*L330mm	1PCS
12	MINI TIE	BLACK MINI TIE, L=120MM	1PCS
11	TUBE	BLACK TUBEØ1.5*22MM COLOR:BLACK	1PCS
10	TUBE	BLACK TUBEØ1.5*17MM COLOR:BLACK	1PCS
9	TUBE	BLACK TUBEØ1.5*12MM COLOR:BLACK	2PCS
8	TUBE	BLACK TUBEØ1.5*8MM COLOR:BLACK	12PCS
7	TUBE	BLACK TUBEØ8.0*60MM COLOR:BLACK	1PCS
6	CABLE3	SM2.54 2P FEMALE WIRE HARNESS, COLOR:BLACK	1PCS
5	CABLE2	SM2.54 2P MALE WIRE HARNESS COLOR:BLACK	1PCS
4	BATTERY	BATTERY UNIT, COLOR: BLACK	1SET
3	CONN	Aviation PLUG 10P FEMALE, Assembled TYPE, 90 degrees. MDEL: CM10-AP10S-M	1SET
2	CONN	SCSI CN 26P male solder ASS'Y TYPE, Black insulation, SHELL COLOR: BLACK SCREW LENGTH: 33.2mm	1SET
1	CABLE1	UL2464 24AWG*4P+24AWG*1C+ABD拖链线, JACKET:PVC COLOR: BLACK, OD= 6.5mm	NA

				QUALITY SYMBOLS	Tolerance		NAME: SCS1 26P MALE TO CM10带电池盒 伺服编码器线 (客户用图)				PART NO. A02-0266X XXX-02			
				□:    ☒:	尺寸(MM)	公差(MM)	REV:	A	UNIT:	mm	DRW BY	CHK BY	APP BY	DRAWING NO.
				CRITICAL MAJOR	300~2000	±50	SCALE:	NONE	DATE:	2019/01/07	Jing Li	Jack Chen		A02-004
				∇:    ∇:	2001~5000	±100	东莞市林诚塑胶电子有限公司 <a href="http://www.lineconn.com">http://www.lineconn.com</a> TEL:0769-85181660 85181770							
				ZERO DEFECT S.P.C	5001~	±150								
SIDE	DATE	DESCRIPTION	APPROVER											
△	2019/01/07	FIRST ISSUE	JING LI											
8	7	6	5	4		3		2		1				