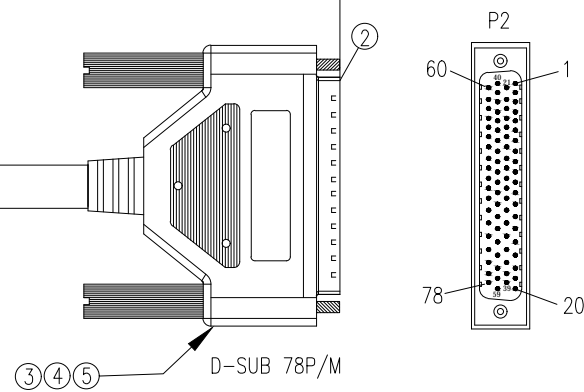
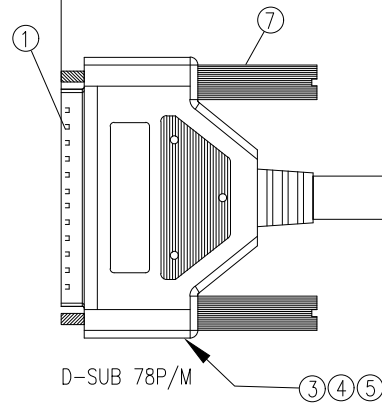
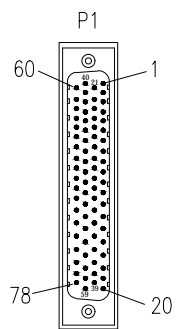
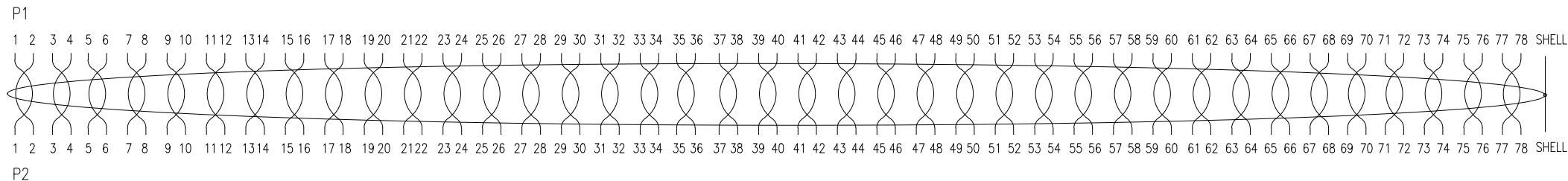


RoHS



PIN ASSIGNMENT



NOTES:

1. ELECTRICAL TEST: 100% OPEN, SHORT & MISS WIRE TEST.
2. CONDUCTOR RESISTANCE: 5 OHMS MAX.
3. INSULATOR RESISTANCE: 1M OHMS MIN, DC 300V 0.01sec.
4. THIS PRODUCT MEET ROHS STANDARD ENVIRONMENTAL PROTECTION POLICY.

7	SCREW	SCREW 4-40# Ni(Q24 BLACK)	4PCS
6	CABLE	UL20276 28AWG*39P+AL+BRAID PVC JACKET COLOR:BLACK OD=10.50mm	1PCS
5	COPPER FOIL	COPPER FOIL W=25MM	NA
4	OVERMOLD	45P PVC COLOR: BLACK	NA
3	MOLD	PE	NA
2	CONNECTOR	HD-SUB 78Pin Male Solder BLACK TYPE	1PCS
1	CONNECTOR	HD-SUB 78Pin Male Solder BLACK TYPE	1PCS
ITEM	PART NAME	DESCRIPTION	QY'T

A	△			QUALITY SYMBOLS	Tolerance		NAME:	HD.D-SUB 78P Male To 78P Male Cable (客户用图)		PART NO.	A04-07811XXX-01			
	△			□: ☒:	尺寸(MM)	公差(MM)	REV:	A	UNIT:	mm	DRW BY	CHK BY	APP BY	DRAWING NO.
	△	2017/11/11	新版发行	CRITICAL MAJOR	2001~5000	±200	SCALE:	NONE	DATE:	2017/11/11	Jack Chen	HP Guan		A04-016
	△			▽: ▽:	5001~	±300	lineconn 东莞市林诚塑胶电子有限公司		http://www.lineconn.com		TEL:0769-85181660 85181770			
	SIDE	DATE	DESCRIPTION	APPROVER	ZERO DEFECT S.P.C									
	8	7	6	5			4		3		2		1	