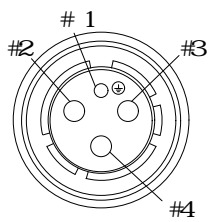
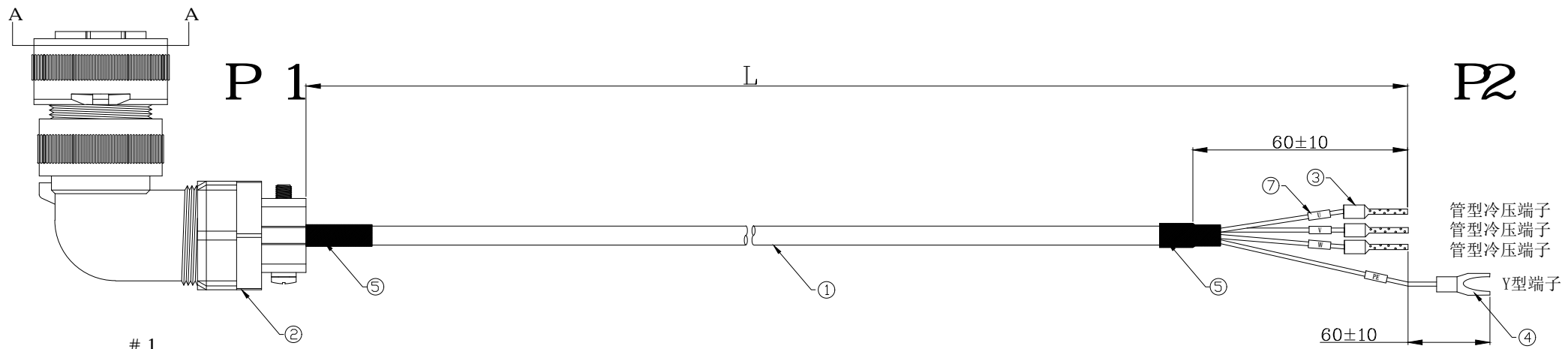


RoHS



A-A 视图

PART NO.: A01-0046X XXX-02
 COLOR: _____
 1: BLACK
 4: ORANGE
 LENGTH: _____
 010:1m
 100:10m

NOTES:
 1. ELECTRICAL TEST: 100% OPEN, SHORT & MISS WIRE TEST.
 2. CONDUCTOR RESISTANCE: 5 OHMS MAX.
 3. INSULATOR RESISTANCE: 1M OHMS MIN, DC 300V 0.01sec.
 4. THIS PRODUCT MEET ROHS STANDARD ENVIRONMENTAL PROTECTION POLICY.

PIN ASSIGNMENT

P 1		P 2	
YD28 4P	COLOR	TERMI NAL	
1	YELLOW/GREEN	PE	
2	RED	U	
3	BLUE	V	
4	BROWN	W	

ITEM	PART NAME	DESCRIPTION	QY' T
6	TUBE	PVC号码管 (U, V, W, PE)	4PCS
5	TUBE	BLACK TUBE $\phi 10.0 \times 35\text{MM}$	2PCS
4	TERMI NAL	Y型接线端子 YF1.25-4S INSULATOR COLOR: BLUE	1PCS
3	TERMI NAL	管型冷压端子 VE2508 INSULATOR COLOR: RED	3PCS
2	CONNECTOR	AVIATION CONN. FEMAE L ASSEMBLY, YD 28 4P	1SET
1	CABLE	1.5MM ² *4C高柔线, COLOR:SEE PART NO. , OD= 9.5mm	1PCS

A	△			QUALITY SYMBOLS	Tolerance		NAME: 中功率1.5MM ² *4C动力线 YD28 4P (客户用图)				PART NO.	A01-0046X XXX-02		
	△			□: ☒:	尺寸(MM)	公差(MM)	REV:	A	UNIT:	mm	DRW BY	CHK BY	APP BY	DRAWING NO.
	△	2018/01/12	新版发行	CRITICAL MAJOR	300~2000	±50	SCALE:	NONE	DATE:	2018/01/12	Jing Li	Jack Chen		A01-003
	△			▽: ▽:	2001~5000	±100	http://www.lineconn.com							
	SIDE	DATE	DESCRIPTION	APPROVER	ZERO DEFECT	S.P.C	lineconn 东莞市林诚塑胶电子有限公司				TEL:0769-85181660 85181770			
	8	7	6	5	4	3	2	1						