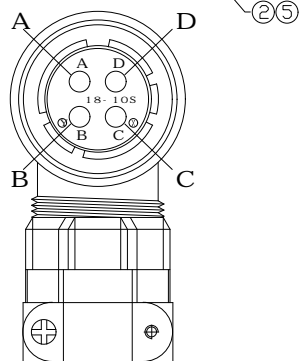
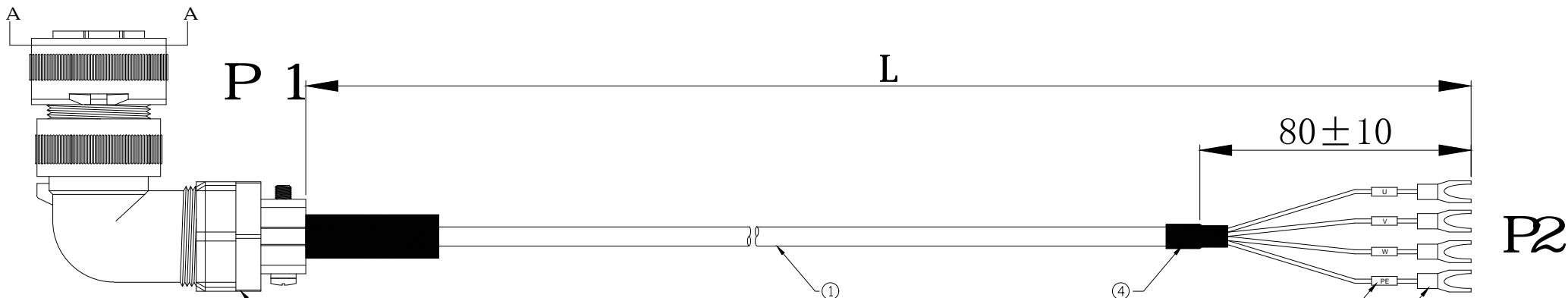


RoHS



A-A 视图

PIN ASSIGNMENT

PLUG 4P	COLOR	TERMI NAL
A	RED	U
B	BROWN	V
C	BLUE	W
D	YELLOW/GREEN	PE

PART NO.:
 COLOR: A01-0046X XXX-03
 1: BLACK
 4: ORANGE
 LENGTH:
 010:1m
 100:10m

NOTES:

1. ELECTRICAL TEST: 100% OPEN, SHORT & MISS WIRE TEST.
2. CONDUCTOR RESISTANCE: 5 OHMS MAX.
3. INSULATOR RESISTANCE: 1M OHMS MIN, DC 300V 0.01sec.
4. THIS PRODUCT MEET ROHS STANDARD ENVIRONMENTAL PROTECTION POLICY.

ITEM	PART NAME	DESCRIPTION	QY' T
8	PE BAG	PE BAG,W230*L330mm.T=0.05mm.	1PCS
7	TIE	BLACK MINI TIE,L=120mm	2PCS
6	TUBE	PVC NUMBER TUBE (U , V , W , PE) WHITH/BLACK	4PCS
5	TUBE	BLACK TUBE ϕ 4.5*10MM.	4PCS
4	TUBE	BLACK TUBE ϕ 10.0*35MM.	1PCS
3	TERMINAL	"Y" TYPE TERMINAL YF1.25-4S INSULATOR COLOR:BLUE	4PCS
2	CONNECTOR	Aviation plug Female 4P, 90 degrees ,Assembled TYPE, MODEL:3108 18-10S.	1SET
1	CABLE	1.5MM ² *4C高柔线,COLOR:SEE PART NO.,OD= 9.5mm	1PC

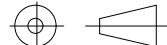
QUALITY SYMBOLS

□: ☒: CRITICAL MAJOR ZERO DEFECT S.P.C

Tolerance

尺寸(MM)	公差(MM)
300~2000	±50
2001~5000	±100
5001~	±150

NAME:	中功率1.5MM ² *4C动力线 3108 18-10S (客户用图)			PART NO.	A01-0046X XXX-03		
REV:	A	UNIT:	mm	DRW BY	CHK BY	APP BY	DRAWING NO.
SCALE:	NONE	DATE:	2018/12/28	Jing Li	Jack Chen		A01-004



lineconn 东莞市林诚塑胶电子有限公司 <http://www.lineconn.com>
 TEL:0769-85181660 85181770

△	2018/12/28	FIRST ISSUE	JING LI
SIDE	DATE	DESCRIPTION	APPROVER