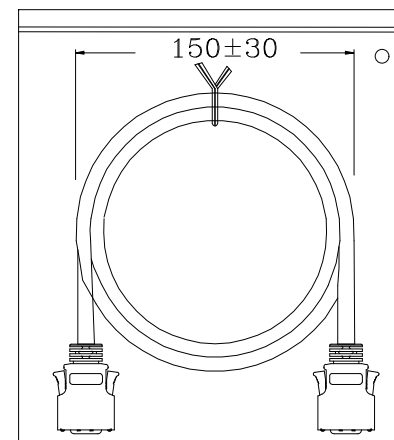
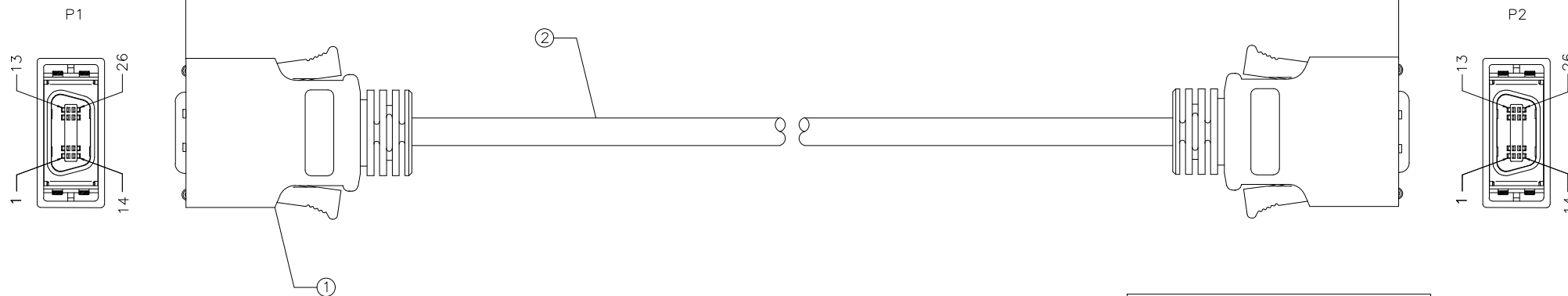


RoHS



PART NO.: A07-02611XXX-03  
 LENGTH: 010:1m  
 100:10m

PIN ASSIGNMENT

P1	SIGNAL	P2
1		1
2		2
3		3
4~23		4~23
24		24
25		25
26		26
Shell		Shell

ITEM	PART NAME	DESCRIPTION	QY'T
2	CABLE	UL2919 28AWG*13P+AL+BRAID PVC JACKET COLOR:BLACK OD= 8.0mm	1PCS
1	CONNECTOR	SCSI 26Pin Male ASS'Y TYPE塑壳鱼钩式	2SET

- NOTES:
- ELECTRICAL TEST: 100% OPEN, SHORT & MISS WIRE TEST.
  - CONDUCTOR RESISTANCE: 5 OHMS MAX.
  - INSULATOR RESISTANCE: 1M OHMS MIN, DC 300V 0.01sec.
  - THIS PRODUCT MEET ROHS STANDARD ENVIRONMENTAL PROTECTION POLICY.

A	△				QUALITY SYMBOLS	Tolerance		NAME:	SCSI 26P CABLE ASSEMBLY塑壳弹片式 (客户用图)			PART NO.	A07-02611XXX-03		
	△				□: CRITICAL	尺寸(MM)	公差(MM)	REV:	A	UNIT:	mm	DRW BY	CHK BY	APP BY	DRAWING NO.
	△	2015/05/13	新版发行	Jack Chen	MAJOR	300~2000	±50	SCALE:	NONE	DATE:	2015/05/13	Jing Li	Jack Chen		A07-013
	△				∇: ZERO DEFECT	5001~	±150								
	SIDE	DATE	DESCRIPTION	APPROVER	S.P.C			东莞市林诚塑胶电子有限公司			http://www.lineconn.com TEL:0769-85181660 85181770				