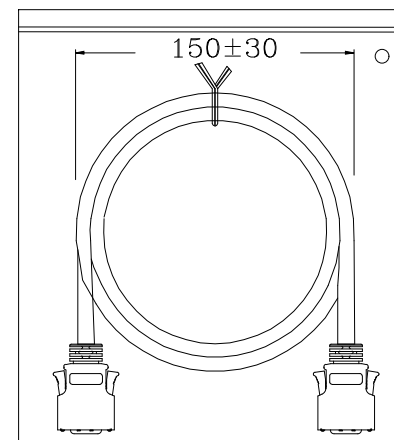
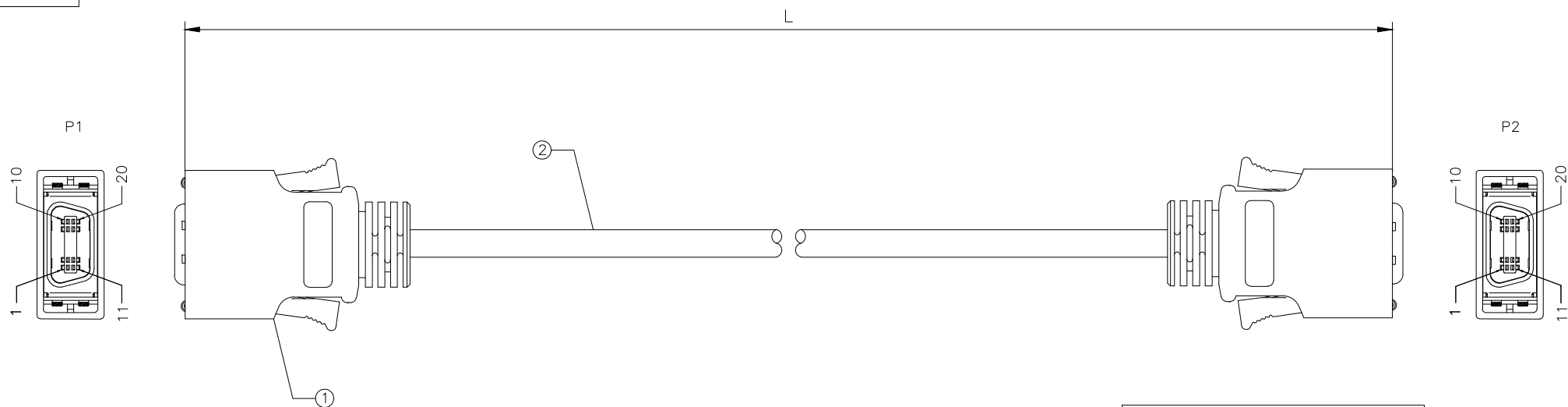


RoHS



PART NO.: A07-02011XXX-01  
 LENGTH: 010:1m  
 100:10m

PIN ASSIGNMENT

P1	SIGNAL	P2
1		1
2		2
3		3
4~17		4~17
18		18
19		19
20		20
Shell		Shell

ITEM	PART NAME	DESCRIPTION	QY'T
2	CABLE	UL20276 28AWG*10P+AL+BRAID PVC JACKET COLOR:BLACK OD= 7.7mm	1PCS
1	CONNECTOR	SCSI 20Pin Male ASS'Y TYPE塑壳弹片式	2SET

- NOTES:
- ELECTRICAL TEST: 100% OPEN, SHORT & MISS WIRE TEST.
  - CONDUCTOR RESISTANCE: 5 OHMS MAX.
  - INSULATOR RESISTANCE: 1M OHMS MIN, DC 300V 0.01sec.
  - THIS PRODUCT MEET ROHS STANDARD ENVIRONMENTAL PROTECTION POLICY.

A	△				QUALITY SYMBOLS	Tolerance		NAME:	SCSI 20P MALE CABLE塑壳弹片式 (客户用图)			PART NO.	A07-02011XXX-01		
	△				□: CRITICAL	☒: MAJOR	尺寸(MM)	公差(MM)	REV:	A	UNIT:	mm	DRW BY	CHK BY	DRAWING NO.
	△	2015/05/13	新版发行	Jack Chen	▽: ZERO DEFECT	▽: S.P.C	300~2000	±50	SCALE:	NONE	DATE:	2015/05/13	Jing Li	Jack Chen	A07-008
	SIDE	DATE	DESCRIPTION	APPROVER	5001~	±150	lineconn 东莞市林诚塑胶电子有限公司			http://www.lineconn.com TEL:0769-85181660 85181770					