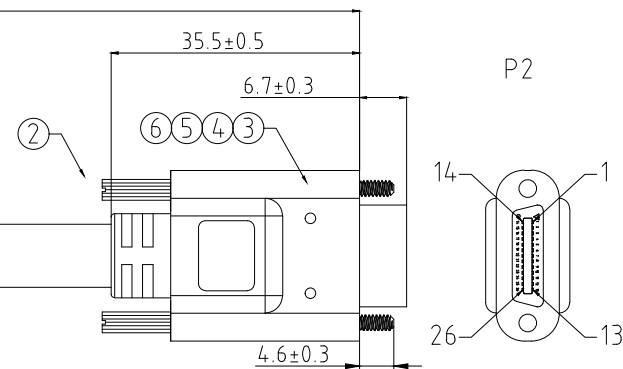
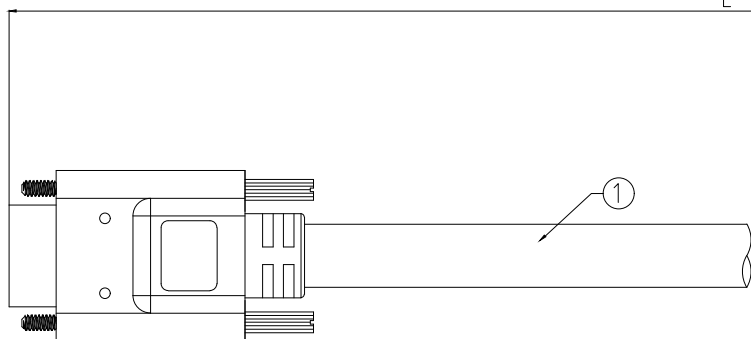
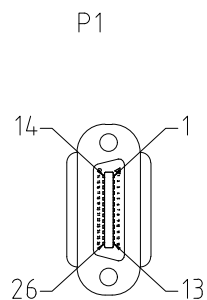
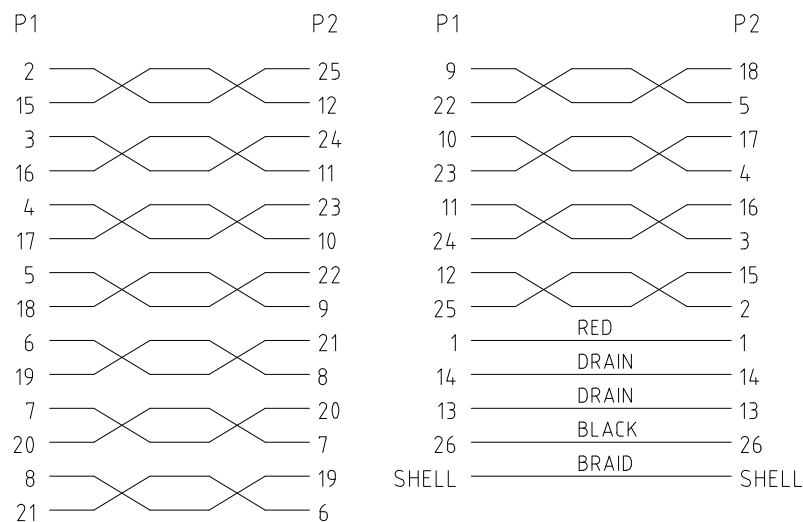


RoHS



Wire Assignment:



ITEM	MATERIAL	DESCRIPTION	Q'TY	UNIT
①	CABLE	UL 20276 (28AWG+AL)x11P+24AWGx2C+Dx2C+AB OD:9.0MM Jacket:Beige PVC	See TABLE A	mm
②	CONN	SDR 26P Male Insulatin:Black Shell:NI	1	PCS
③	CONN	SDR 26P Male Insulatin:Black Shell:NI	1	PCS
④	Inner Mold	LD-PE	N/A	KG
⑤	Over Mold	BLACK PVC	N/A	KG
⑥	Copper Foil	Copper Foil	N/A	MM
⑦	Screw	#4-40 Thumbscrew L=44MM	2	PCS
⑧	Screw	M2.0 Thumbscrew L=40.5MM	2	PCS

REMARK:

- <1>.THE PRODUCT IS "RoHS COMPLIANT".
- <2>.THE MARK"□"IS QC CHECK DIMENSIONS.

NOTES:

1. OPEN/SHORT/INTERMITTENCE:100% TEST
2. DIELECTRIC WITHSTAND:AC100V/1MIN.
3. INSULATION RESISTANCE:DC 100V/10MΩ (MIN)
4. CONDUCTIVE RESISTANCE:See TABLE A

A	△			QUALITY SYMBOLS	Tolerance		NAME:	工业相机Camera Link SDR连接线 (客户用图)			PART NO.	A10-02612XXX-02		
	△			□: ☒:	尺寸(MM)	公差(MM)	REV:	A	UNIT:	mm	DRW BY	CHK BY	APP BY	DRAWING NO.
	△	2018/09/11	新版发行	CRITICAL MAJOR	300~2000	±50	SCALE:	NONE	DATE:	2018/09/11	Jing Li	Jack Chen		A10-005
	△			▽: ▽:	2001~5000	±100	东莞市林诚塑胶电子有限公司 http://www.lineconn.com TEL:0769-85181660 85181770							
SIDE	DATE	DESCRIPTION	APPROVER	ZERO DEFECT S.P.C	5001~	±150								
	8	7	6	5	4	3	2	1						