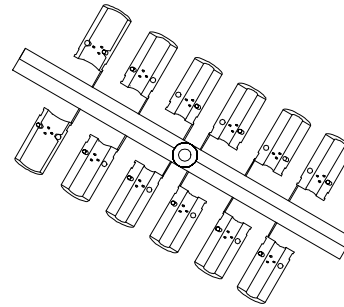
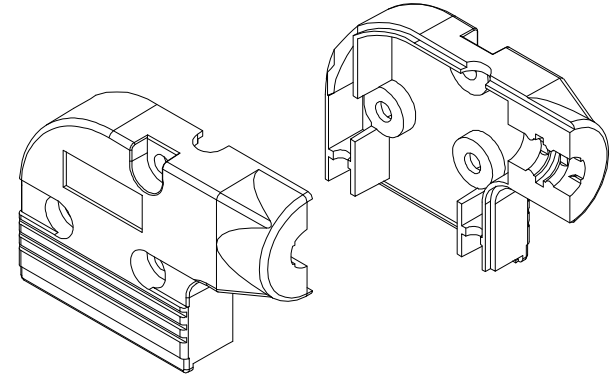
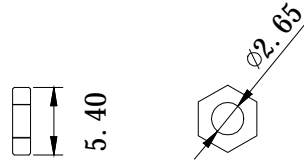
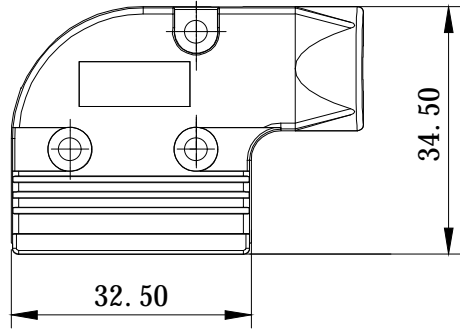


RoHS COMPLIANT



PART NO.:

B05-009NN8N9-XXD

ENTRY HOLE SIZES:

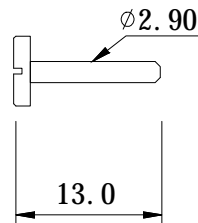
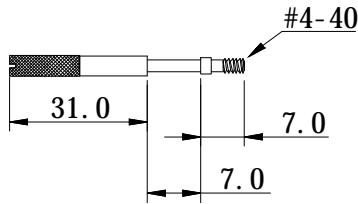
70:7.0mm

80:8.0mm

90:9.0mm

1A:10.0mm

1C:12.0mm



4	塑胶线卡	PBT 94V-0	BLACK	1SET
3	MB SCREW&NUT	STEEL	PLATING:Ni	3SET
2	螺丝#4-40 UNC	STEEL	PLATING:Ni	2PCS
1	上下外壳	ZINC	PLATING:Ni	1SET
ITEM	DESC.	MATERIAL	REMAKS	PART REMAKS

QUALITY SYMBOLS

□:    ☒:    △:    ▲:    ▼:    ▽:  
 CRITICAL MAJOR    ZERO DEFECT S.P.C

Tolerance

x.    ±0.80  
 .x    ±0.50  
 .xx    ±0.25

NAME:

D-SUB 9P 锌合金外壳90°出线  
 (客户用图)

REV:

A    UNIT: mm    DRW BY: JING LI

SCALE:

N:1    DATE: 2016/08/22    JACK CHEN

PART NO.

B05-009NN8N9-XXD

CHK BY

APP BY

JACK CHEN

B05-080

lineconn

东莞市林诚塑胶电子有限公司

http://www.lineconn.com  
 TEL:0769-85181660 85181770

△				
△	2016/08/22	新版发行	JACK CHEN	
SIDE	DATE	DESCRIPTION	APPROVER	
8	7			